

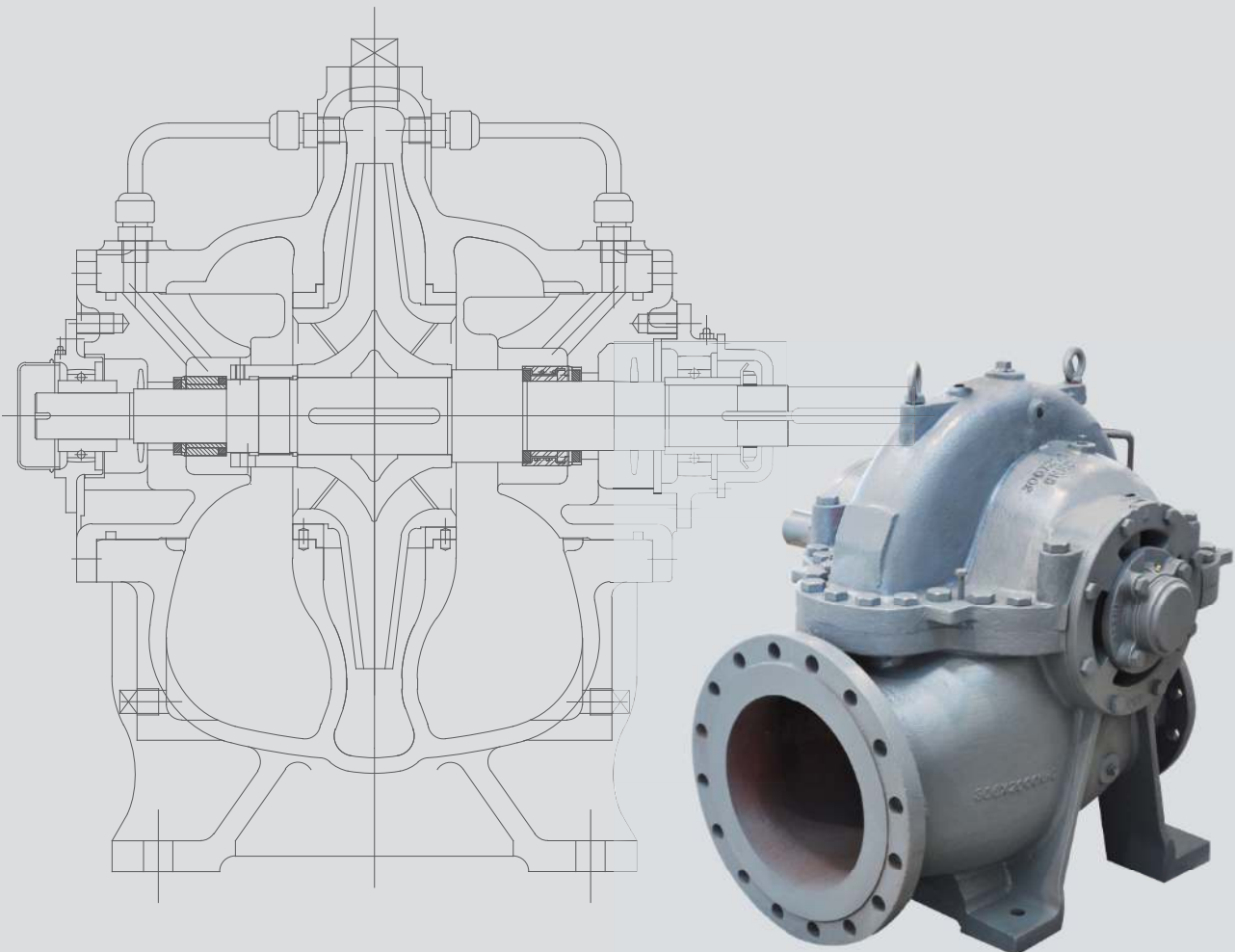
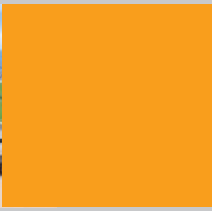


EBARA

OB06-2012 03-01.001

100th
Anniversary

HORIZONTAL SPLIT CASING PUMP CNC



EBARA MACHINERY (CHINA)CO., LTD



EBARA MACHINERY (CHINA)

Ebara Machinery (China) Co., Ltd

As the wholly owned subsidiary company of Ebara Subsidiary Corporation, Ebara Machinery (China) devotes itself to the expansion of Ebara's wind and hydraulic power business in China and supplying of advanced general pump, cooling tower, water supply system, heat exchanger and water treatment products and other services with high quality for clients.

Ebara is famous for producing advanced water pump, water supply system, cooling tower and heat exchanger. As a combined environment engineering enterprise, Ebara is staffed with over 15000 employees with its business covered 24 countries across the world, there are more than 107 production bases, branches and R&D research centers. By now, Ebara has made contributions to different fields and is enjoying reliability from tens of thousands of clients across the world.

Ebara Machinery (China) would make great efforts to promote the development of local clients; And as a part of Ebara Corporation, our mission is to offer strong strategic support to Ebara.

Contents

■ Contents	1
■ Features And Applications	2
■ Model Code And Specifications	3
■ Performance Chart	4
■ Mechanical Seal Sectional View	5
■ Pump Sectional View	6
■ Dimension Pump-Bare Shaft Pump	7-8
■ Dimension Pump-CNC Pump With Motor 4-Poles Drive	9-13
■ Dimension Pump-CNC Pump With Motor 2-Poles Drive	14-15

NOTE:ALL SPECIFICATIONS ARE SUBJECT TO CHANGE WITHOUT NOTICE.

Features & Applications

■ Features

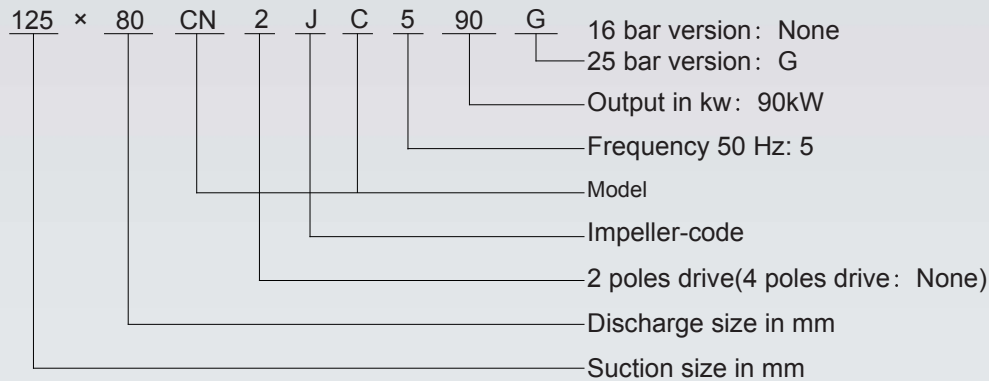
1. Very compact design for ease of installation and permits minimum maintenance.
2. Axially split casing allows the easy removal of the top casing for inspection and service.
3. A wider range of performance with head up to 150 m.
4. High quality sealed and cartridge type bearing unit provide high durability.
5. High allowable working pressure can ensure stable running.
6. Mechanical seal for easy maintenance.

■ Applications

1. Water supply
2. Hot and cold water circulation
3. For cooling tower
4. Irrigation and industrial use
5. Drainage
6. Sprinkling
7. Air-conditioning
8. For swimming pool

Model Code & Specifications

Model Code-50Hz



Specifications

1. Pump Specifications

Description		16bar	25bar
Liquid Handled	Type of liquid	Clean water, Industrial water, River water	
	Temperature	0~80°C	
Max. Suction Pressure		10bar(10.2kgf/cm ²)	20bar(20.4kgf/cm ²)
Max. Working Pressure		16bar(16.3kgf/cm ²)	25bar(25.5kgf/cm ²)
Construction	Impeller	Closed double suction	
	Shaft seal	Mechanical Seal	Mechanical Seal(balance type)
	Sealing	Self Flushing	
	Bearing	Ball Bearing	
Flange		JIS 16K RF	JIS 20K RF
Material	Casing	Cast Iron(HT250)	Ductile Cast Iron(QT450)
	Impeller	ZCuSn5Pb5Zn5	
	Shaft	20Cr13	
	Mechanical Seal	Ceramics/Carbon/NBR	SiC/C/FPM

2. Motor Specifications

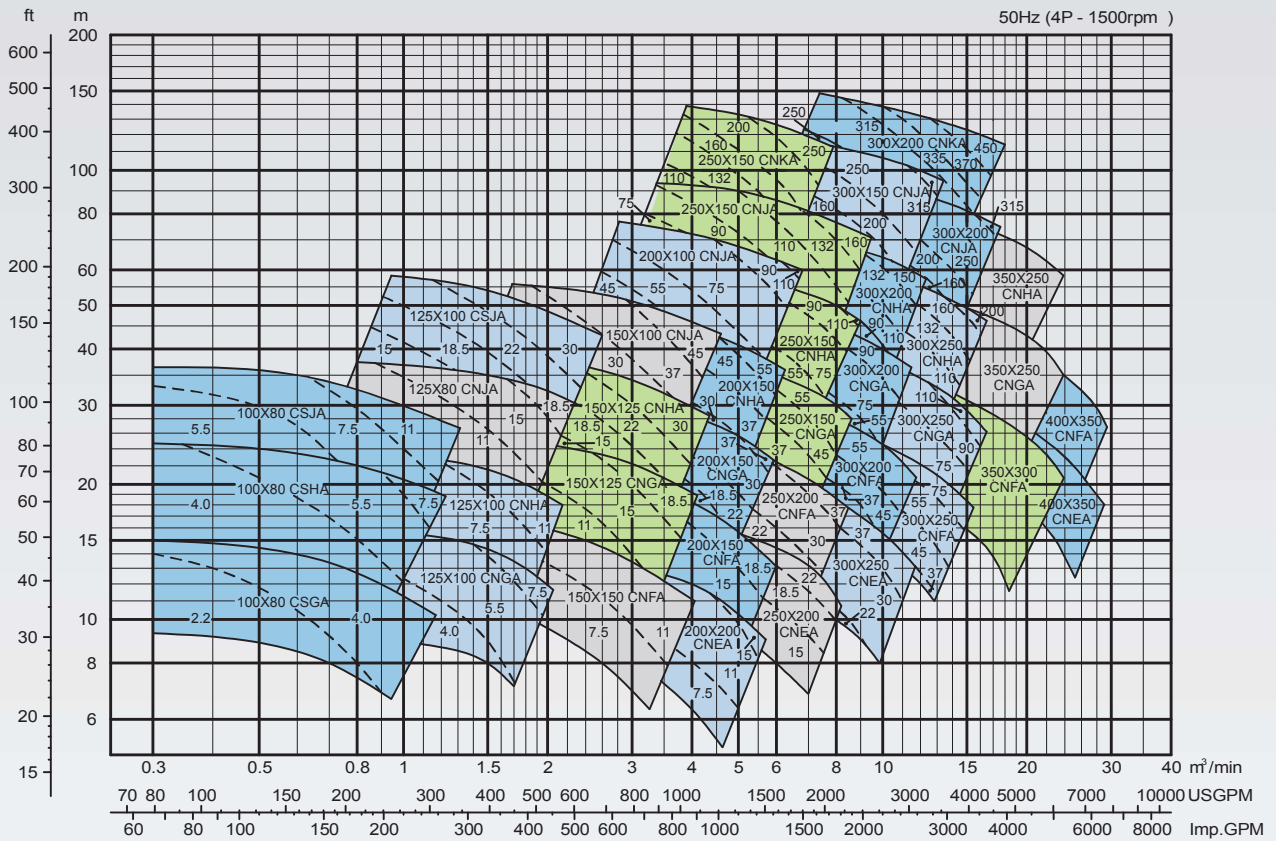
Number of poles	2 poles	4 poles
Synchronous speed	3000min ⁻¹	1500min ⁻¹
Phase	3 phase	
Voltage	380V±10%	
Type	Totally enclosed fan cooled (indoors)	
Protection	IP55	
Frequency	30~50Hz	

3. Accessories

Standard	Optional
Common base	JIS companion flange
Coupling	Disc couplings
Coupling guard	

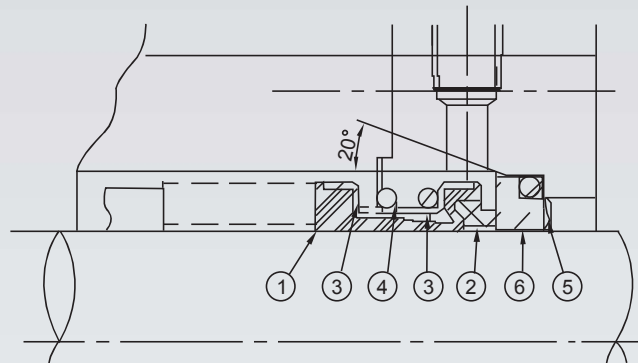
Optional: Totally enclosed fan cooled (outdoors)
 Varying frequency running (0~50Hz)
 Other types of motor that user require

Performance Chart



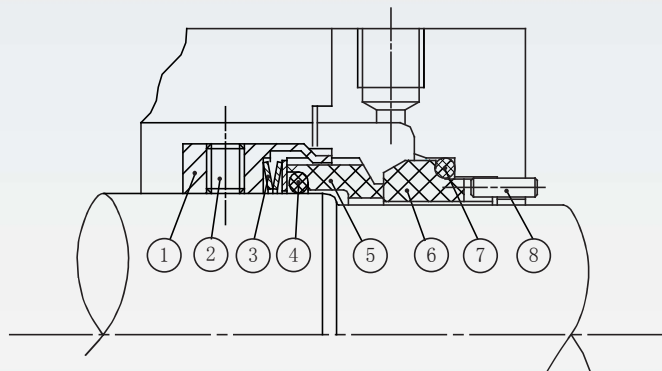
Mechanical Seal Sectional View

■ Type:MS2-Make use of 16bar



Part No	Part Name	Material	Qty/Unity
1	Bellows	NBR	1
2	Primary Ring	Carbon	1
3	Drive Band	NBR	1
4	Spring	316 Stainless Steel	1
5	O-ring	NBR	1
6	Mating Ring	Ceramic	1

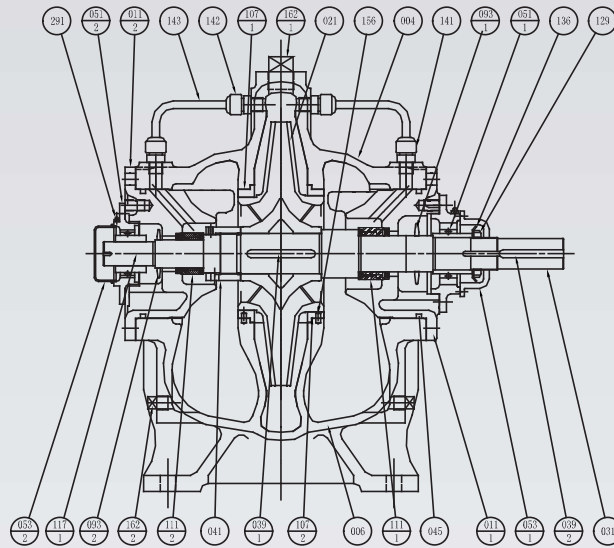
■ Type:MS3-Make use of 25bar



Part No	Part Name	Material	Qty/Unity
1	Drive Band	316 Stainless Steel	1
2	Holdingscrew	316 Stainless Steel	1
3	Spring	316 Stainless Steel	N
4	O-ring	FPM	1
5	Primary Ring	Carbon	1
6	Mating Ring	Silicon carbide	1
7	O-ring	FPM	1
8	Pin	316 Stainless Steel	1

Pump Sectional View

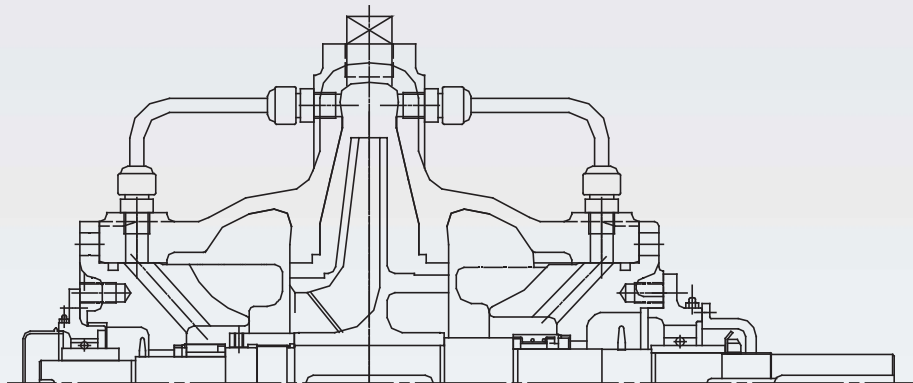
Sectional View-CNC



Type:CSC

※Note:

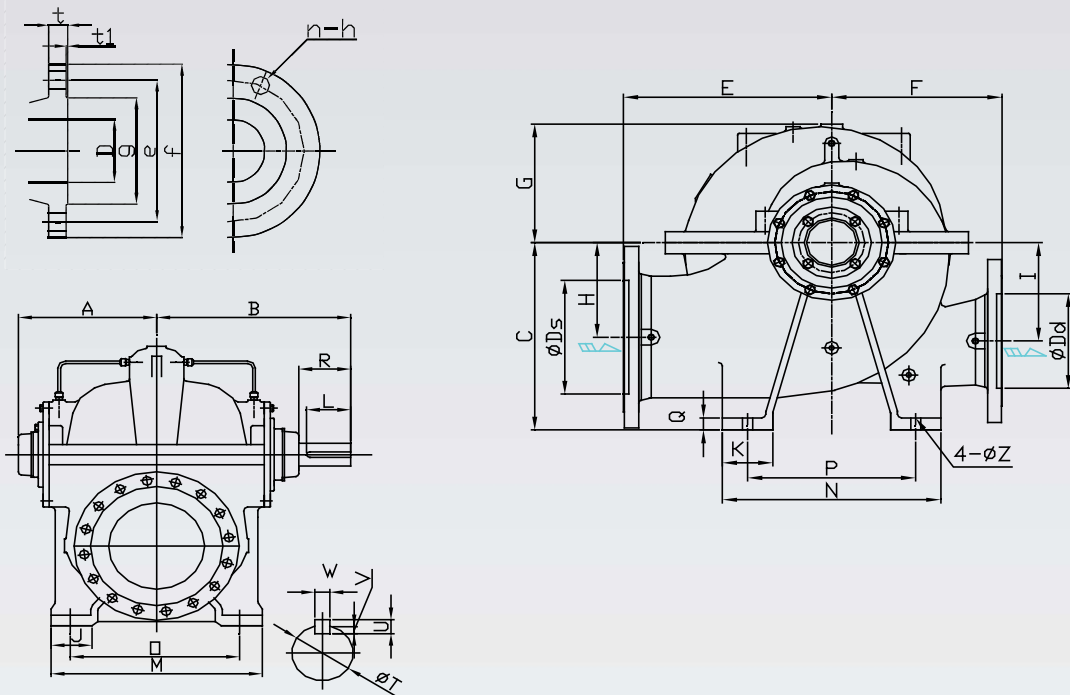
CNC impeller for double suction impeller, CSC impeller single inhalation impeller



162-2	Plug	Q235-A	Q235-A	2
162-1	Plug	Q235-A	Q235-A	1
142	Straight Coupling	H62	H62	2
051-2	Bearing Unit	HT200	HT200	1
051-1	Bearing Unit	HT200	HT200	1
041	Impeller Nut	ZCuSn5Pb5Zn5	ZCuSn5Pb5Zn5	1
039-2	Coupling Key	50#	50#	1
039-1	Impeller Key	20Cr13	20Cr13	1
031	Shaft	20Cr13	20Cr13	1
021※	Impeller	ZCuSn5Pb5Zn5	ZCuSn5Pb5Zn5	1
011-2	Side Cover	HT250	QT450	1
011-1	Side Cover	HT250	QT450	1
006	Casing Lower Half	HT250	QT450	1
004	Casing Upper Half	HT250	QT450	1
291	Grease Nipple	HS62-1	HS62-1	2
No	Part Name	Material		Qty

045	O-ring	NBR	NBR	2
143	Flushing Pipe	H62	H62	2
141	Straight Coupling	H62	H62	2
156	Lock Pin	06Cr18Ni9	06Cr18Ni9	2
136	Bearing Washer	Q235-A	Q235-A	1
129	Bearing Nut	Q235-A	Q235-A	1
117-1	Gasket(Casing)	Fiber Materials	Fiber Materials	1
111-2	Mechanical Seal	-	-	1
111-1	Mechanical Seal	-	-	1
107-1	Casing Wear Ring(CCP Side)	ZCuSn5Pb5Zn5	ZCuSn5Pb5Zn5	1
107-2	Casing Wear Ring(CP Side)	ZCuSn5Pb5Zn5	ZCuSn5Pb5Zn5	1
093-2	Deflector(CCP Side)	Rubber	Rubber	1
093-1	Deflector(CP Side)	Rubber	Rubber	1
053-2	Bearing Cover	HT200	HT200	1
053-1	Bearing Cover	HT200	HT200	1
No	Part Name	Material		Qty

■ Dimension-bare Shaft Pump



Cast Iron 16bar Flange (JIS 16K)

D	g	e	f	t	t1	n	h
80	132	160	200	24	2	8	φ23
100	160	185	225	26	2	8	φ23
125	195	225	270	26	2	8	φ25
150	230	260	305	28	2	12	φ25
200	275	305	350	30	2	12	φ25
250	345	380	430	34	2	12	φ27
300	395	430	480	36	3	16	φ27
350	440	480	540	38	3	16	φ33
400	495	540	605	42	3	16	φ33

Ductile Cast Iron 25bar Flange (JIS 20K)

D	g	e	f	t	t1	n	h
80	132	160	200	22	2	8	φ23
100	160	185	225	24	2	8	φ23
125	195	225	270	26	2	8	φ25
150	230	260	305	28	2	12	φ25
200	275	305	350	30	2	12	φ25
250	345	380	430	34	2	12	φ27
300	395	430	480	36	3	16	φ27
350	440	480	540	40	3	16	φ33
400	495	540	605	46	3	16	φ33

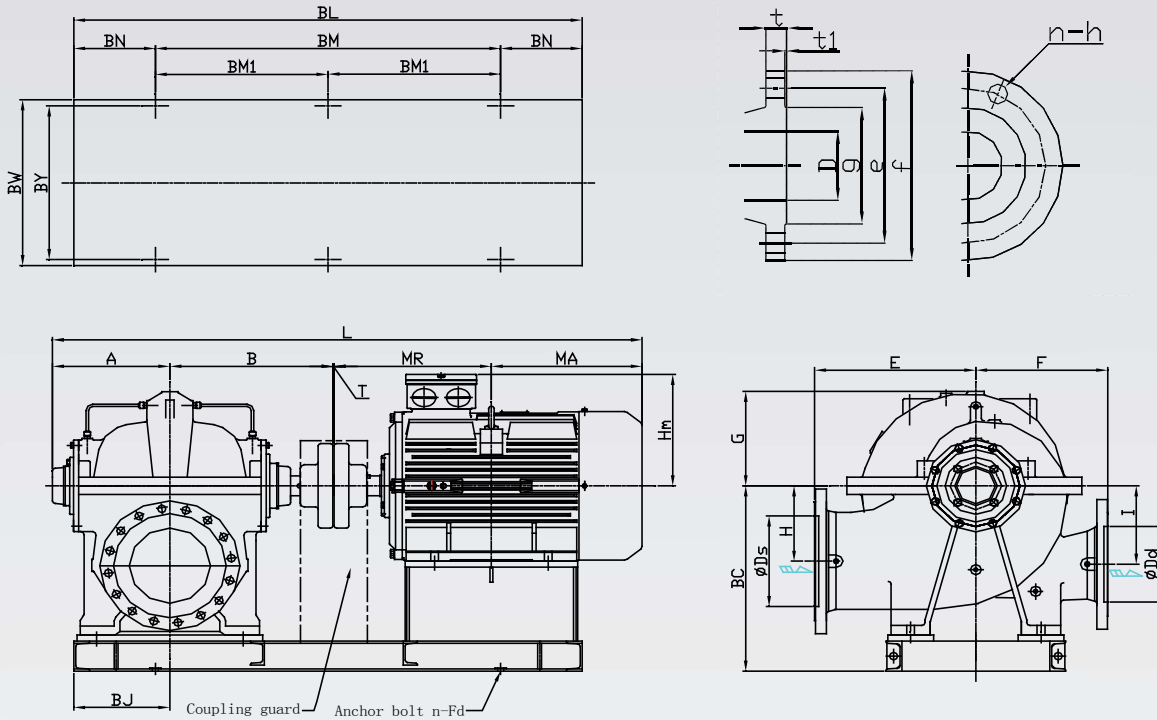
Dimension-pump

■ Dimensions-Bare Shaft Pump

Model	Size		Pump															Shaft					Wt		
	Ds	Dd	A	B	C	E	F	G	H	I	J	K	M	N	O	P	Q	Z	L	R	T	U	V	W	KG
100X80CSGC	100	80	221	250	295	270	240	169	140	140	60	70	300	290	250	230	20	19	56	68	28	8	5	10	143
100X80CSHC	100	80	221	250	295	280	220	185	150	160	60	70	300	290	250	230	20	19	56	68	28	8	5	10	165
100X80CSJC	100	80	221	250	295	280	230	202	160	180	60	70	300	290	250	230	20	19	56	63	28	8	5	10	200
125X100CSJC	125	100	247	325	375	350	280	263	200	230	90	100	430	400	350	300	20	19	80	82	38	8	5	10	280
125X100CNGC	125	100	231	350	295	290	250	181	150	150	60	70	300	290	250	230	20	19	80	82	38	8	5	10	209
125X100CNHC	125	100	231	350	295	300	250	195	150	160	60	70	300	290	250	230	20	19	80	82	38	8	5	10	242
125X80CNJC	125	80	231	350	295	330	250	226	150	190	70	80	340	320	280	250	20	19	80	82	38	8	5	10	250
150X150CNFC	150	150	262	370	355	330	290	205	180	170	80	90	380	360	310	270	25	19	80	82	38	8	5	10	253
150X125CNGC	150	125	271	395	355	330	260	224	190	190	80	90	380	360	310	270	25	19	90	102	48	9	5.5	14	275
150X125CNHC	150	125	262	370	355	350	280	243	190	210	80	90	380	360	310	270	25	19	80	82	38	8	5	10	270
150X100CNJC	150	100	271	395	390	380	290	269	190	240	90	100	430	400	350	300	25	19	90	102	48	9	5.5	14	330
200X200CNEC	200	200	263	370	375	355	300	223	190	190	90	100	430	400	350	300	25	19	80	82	38	8	5	10	270
200X150CNFC	200	150	263	370	375	355	285	224	190	190	90	100	430	400	350	300	25	19	80	82	38	8	5	10	280
200X150CNGC	200	150	263	370	375	355	285	245	200	210	90	100	430	400	350	300	25	19	80	82	38	8	5	10	310
200X150CNHC	200	150	282	395	390	375	295	268	200	230	90	100	430	400	350	300	25	19	90	92	48	9	5.5	14	355
200X100CNJC	200	100	305	450	445	420	335	309	200	270	100	110	480	450	390	340	25	24	100	112	55	10	6	16	445
250X200CNEC	250	200	273	395	425	395	315	243	210	210	100	110	480	450	390	340	25	24	80	97	38	8	5	10	360
250X200CNFC	250	200	282	395	425	395	315	247	210	210	100	110	480	450	390	340	25	24	90	92	48	9	5.5	14	380
250X150CNGC	250	150	282	395	445	395	315	276	220	240	100	110	480	450	390	340	25	24	90	92	48	9	5.5	14	415
250X150CNHC	250	150	315	450	445	430	325	299	220	260	100	110	480	450	390	340	25	24	100	102	55	10	6	16	500
250X150CNJC	250	150	350	500	495	470	355	346	220	300	110	120	550	520	450	400	30	24	110	124	65	11	7	18	605
250X150CNKC	250	150	382	530	500	505	430	407	290	345	110	120	550	520	450	400	30	24	125	141	75	12	8	20	835
300X250CNEC	300	250	302	415	475	445	355	274	235	235	110	120	550	520	450	400	30	24	90	92	48	9	5.5	14	435
300X200CNFC	300	200	315	450	475	445	355	280	235	235	110	120	550	520	450	400	30	24	100	102	55	10	6	16	490
300X200CNGC	300	200	315	470	495	445	355	300	250	270	110	120	550	520	450	400	30	24	100	122	55	10	6	16	520
300X200CNHC	300	200	350	500	495	465	365	332	250	290	110	120	550	520	450	400	30	24	110	124	65	11	7	18	625
300X150CNJC	300	150	382	530	500	520	405	384	250	335	110	120	550	520	450	400	30	24	125	141	75	12	8	20	785
300X250CNFC	300	250	335	470	495	495	405	306	250	260	110	120	550	520	450	400	30	24	100	102	55	10	6	16	570
300X250CNGC	300	250	360	500	495	495	405	313	250	260	110	120	550	520	450	400	30	24	110	114	65	11	7	18	620
300X250CNHC	300	250	360	500	520	495	405	337	275	295	110	120	550	520	450	400	30	24	110	114	65	11	7	18	615
300X200CNJC	300	200	382	530	500	525	415	379	275	320	110	120	550	520	450	400	30	24	125	141	75	12	8	20	860
300X200CNKC	300	200	415	585	560	570	475	436	290	380	140	150	620	700	500	550	35	26	140	156	85	14	9	22	1070
350X300CNFC	350	300	386	530	600	560	450	345	310	310	130	150	620	700	500	550	38	26	110	125	65	11	7	18	800
350X250CNGC	350	250	386	530	600	560	450	350	310	303	135	150	620	700	500	550	38	26	110	125	65	11	7	18	790
350X250CNHC	350	250	414	560	600	560	440	373	315	330	135	150	620	700	500	550	38	26	125	140	75	12	7.5	20	845
400X350CNEC	400	350	451	600	596	570	470	355	320	320	140	150	720	700	590	550	38	26	110	124	65	11	7	18	1030
400X350CNFC	400	350	439	585	630	625	510	385	305	344	150	150	700	700	550	550	38	26	125	140	75	12	7.5	20	1035

Dimension-pump

■ Dimensions-CNC Pump With Motor 4-Poles Drive



■ CastIron 16bar Flange (JIS 16K)

D	g	e	f	t	t1	n	h
80	132	160	200	24	2	8	φ23
100	160	185	225	26	2	8	φ23
125	195	225	270	26	2	8	φ25
150	230	260	305	28	2	12	φ25
200	275	305	350	30	2	12	φ25
250	345	380	430	34	2	12	φ27
300	395	430	480	36	3	16	φ27
350	440	480	540	38	3	16	φ33
400	495	540	605	42	3	16	φ33

■ Ductile CastIron 25bar Flange (JIS 20K)

D	g	e	f	t	t1	n	h
80	132	160	200	22	2	8	φ23
100	160	185	225	24	2	8	φ23
125	195	225	270	26	2	8	φ25
150	230	260	305	28	2	12	φ25
200	275	305	350	30	2	12	φ25
250	345	380	430	34	2	12	φ27
300	395	430	480	36	3	16	φ27
350	440	480	540	40	3	16	φ33
400	495	540	605	46	3	16	φ33

Dimension-pump

■ Dimensions-CNC Pump With Motor 4-Poles Drive

Model	Motor		Size		Pump									Motor					Common Base										Total size		
	kW	Ds	Dd	A	B	C	E	F	G	H	I	wt (kg)	Frame	MR	MA	Hm	wt (kg)	BJ	BC	BN	BM	BM1	BL	BW	BY	n-Fd	wt (kg)	T	L	wt (kg)	
100X80CSGC	2.2	100	80	221	250	295	270	240	169	140	140	143	100L	193	192	165	31	165	375	120	480	-	720	330	300	4-φ15	37	3	859	215	
100X80CSGC	4	100	80	221	250	295	270	240	169	140	140	143	112M	200	200	175	44	165	375	120	490	-	730	330	300	4-φ15	40	3	874	234	
100X80CSHC	4	100	80	221	250	295	280	220	185	150	160	165	112M	200	200	175	44	165	375	120	490	-	730	330	300	4-φ15	40	3	874	256	
100X80CSHC	5.5	100	80	221	250	295	280	220	185	150	160	165	132S	239	231	198	61	165	375	130	560	-	820	330	300	4-φ15	43	3	944	275	
100X80CSHC	7.5	100	80	221	250	295	280	220	185	150	160	165	132M	258	252	198	71	165	375	130	560	-	820	330	300	4-φ15	43	3	984	288	
100X80CSJC	5.5	100	80	221	250	295	280	230	202	160	180	200	132S	239	231	198	61	165	375	130	560	-	820	330	300	4-φ15	43	3	944	310	
100X80CSJC	7.5	100	80	221	250	295	280	230	202	160	180	200	132M	258	252	198	71	165	375	130	560	-	820	330	300	4-φ15	43	3	984	323	
100X80CSJC	11	100	80	221	250	295	280	230	202	160	180	200	160M	323	292	250	110	165	395	150	600	-	900	380	350	4-φ15	53	3	1089	372	
125X100CSJC	15	125	100	247	325	375	350	280	263	200	230	280	160L	345	320	250	132	235	475	180	730	-	1090	420	390	4-φ15	75	3	1228	509	
125X100CSJC	18.5	125	100	247	325	375	350	280	263	200	230	280	180M	3515	3485	275	164	235	475	180	770	-	1130	420	390	4-φ15	78	3	1275	535	
125X100CSJC	22	125	100	247	325	375	350	280	263	200	230	280	180L	3705	3595	275	180	235	475	180	770	-	1130	420	390	4-φ15	78	3	1305	551	
125X100CSJC	30	125	100	247	325	375	350	280	263	200	230	280	200L	3955	3745	324	225	235	475	190	790	-	1170	450	420	4-φ15	82	4	1346	606	
125X100CNGC	4	125	100	231	350	295	290	250	181	150	150	209	112M	200	200	175	44	165	375	130	570	-	830	330	300	4-φ15	41	3	984	303	
125X100CNGC	5.5	125	100	231	350	295	290	250	181	150	150	209	132S	239	231	198	61	165	375	150	620	-	920	330	300	4-φ15	45	3	1054	324	
125X100CNGC	7.5	125	100	231	350	295	290	250	181	150	150	209	132M	258	252	198	71	165	375	150	620	-	920	330	300	4-φ15	45	3	1094	334	
125X100CNHC	7.5	125	100	231	350	295	300	250	195	150	160	242	132M	258	252	198	71	165	375	150	620	-	920	330	300	4-φ15	45	3	1094	367	
125X100CNHC	11	125	100	231	350	295	300	250	195	150	160	242	160M	323	292	250	110	165	395	160	680	-	1000	380	350	4-φ15	55	3	1199	416	
125X80CNJC	11	125	80	231	350	295	330	250	226	150	190	250	160M	323	292	250	110	185	395	170	720	-	1060	380	350	4-φ15	60	3	1199	429	
125X80CNJC	15	125	80	231	350	295	330	250	226	150	190	250	160L	345	320	250	132	185	395	170	720	-	1060	380	350	4-φ15	60	3	1249	451	
125X80CNJC	18.5	125	80	231	350	295	330	250	226	150	190	250	180M	3515	3485	275	164	185	395	170	730	-	1070	410	380	4-φ15	62	3	1284	506	
150X100CNJC	30	150	100	271	395	390	380	290	269	190	240	330	200L	3955	3745	324	225	235	510	200	840	-	1240	460	420	4-φ19	96	4	1440	650	
150X100CNJC	37	150	100	271	395	390	380	290	269	190	240	330	225S	432	383	335	285	235	510	210	900	-	1320	490	450	4-φ19	98.5	4	1485	737	
150X100CNJC	45	150	100	271	395	390	380	290	269	190	240	330	225M	4445	4005	335	305	235	510	210	900	-	1320	490	450	4-φ19	98.5	4	1515	757	
150X150CNFC	7.5	150	150	262	370	355	330	290	205	180	170	253	132M	258	252	198	71	205	455	160	660	-	980	390	360	4-φ15	62	3	1145	396	
150X150CNFC	11	150	150	262	370	355	330	290	205	180	170	253	160M	323	292	250	110	205	455	170	720	-	1060	390	360	4-φ15	66	3	1250	393	
150X125CNGC	11	150	125	271	395	355	330	260	224	190	190	275	160M	323	292	250	110	205	455	180	770	-	1130	390	360	4-φ15	70	3	1284	468	
150X125CNGC	15	150	125	271	395	355	330	260	224	190	190	275	160L	345	320	250	132	205	455	180	770	-	1130	390	360	4-φ15	70	3	1334	490	
150X125CNGC	18.5	150	125	271	395	355	330	260	224	190	190	275	180M	3515	3485	275	164	205	455	180	770	-	1130	410	380	4-φ15	71	3	1369	519	
150X125CNHC	18.5	150	125	262	370	355	350	280	243	190	210	270	180M	3515	3485	275	164	205	455	190	770	-	1150	410	380	4-φ15	73	3	1335	520	
150X125CNHC	22	150	125	262	370	355	350	280	243	190	210	270	180L	3705	3595	275	180	205	455	190	770	-	1150	410	380	4-φ15	73	3	1365	536	
150X125CNHC	30	150	125	262	370	355	350	280	243	190	210	270	200L	3955	3745	324	225	205	455	190	810	-	1190	450	420	4-φ15	80	4	1406	594	
200X100CNJC	45	200	100	305	450	445	420	335	309	200	270	445	225M	4445	4005	335	305	260	565	240	920	-	1400	490	450	4-φ19	112	4	1604	886	
200X100CNJC	55	200	100	305	450	445	420	335	309	200	270	445	250M	4825	4325	375	400	260	565	240	990	-	1470	550	510	4-φ19	130	4	1674	1009	
200X100CNJC	75	200	100	305	450	445	420	335	309	200	270	445	280S	514	466	405	553	260	585	260	1050	-	1570	630	590	4-φ24	157	4	1739	1190	

■ Dimensions-CNC Pump With Motor 4-Poles Drive

Model	Motor		Size		Pump								Motor						Common Base								Total size			
	kW	Ds	Dd	A	B	C	E	F	G	H	I	wt (kg)	Frame	MR	MA	Hm	wt (kg)	BJ	BC	BN	BM	BM1	BL	BW	BY	n-Fd	wt (kg)	T	L	wt (kg)
200X100CNJC	90	200	100	305	450	445	420	335	309	200	270	445	280M	539.5	490.5	405	582	260	585	260	1050	-	1570	630	590	4-φ24	157	4	1789	1235
200X150CNHC	30	200	150	282	395	390	375	295	268	200	230	355	200L	395.5	374.5	324	225	235	510	200	840	-	1240	460	420	4-φ19	96	4	1451	695
200X150CNHC	37	200	150	282	395	390	375	295	268	200	230	355	225S	432	383	335	285	235	510	210	900	-	1320	490	450	4-φ19	98.5	4	1496	762
200X150CNHC	45	200	150	282	395	390	375	295	268	200	230	355	225M	444.5	400.5	335	305	235	510	210	900	-	1320	490	450	4-φ19	98.5	4	1526	782
200X150CNHC	55	200	150	282	395	390	375	295	268	200	230	355	250M	482.5	432.5	375	400	235	510	240	915	-	1395	550	510	4-φ19	116	4	1596	905
200X200CNEC	7.5	200	200	263	370	375	355	300	223	190	190	270	132M	258	252	198	71	235	475	160	690	-	1010	420	390	4-φ15	70	3	1146	421
200X200CNEC	11	200	200	263	370	375	355	300	223	190	190	270	160M	323	292	250	110	235	475	180	770	-	1130	420	390	4-φ15	76	3	1251	466
200X200CNEC	15	200	200	263	370	375	355	300	223	190	190	270	160L	345	320	250	132	235	475	180	770	-	1130	420	390	4-φ15	76	3	1301	488
200X150CNFC	15	200	150	263	370	375	355	285	224	190	190	280	160L	345	320	250	132	235	475	180	770	-	1130	420	390	4-φ15	76	3	1301	498
200X150CNFC	18.5	200	150	263	370	375	355	285	224	190	190	280	180M	351.5	348.5	275	164	235	475	190	800	-	1180	420	390	4-φ15	79	3	1336	536
200X150CNGC	18.5	200	150	263	370	375	355	285	245	200	210	310	180M	351.5	348.5	275	164	235	475	190	800	-	1180	420	390	4-φ15	79	3	1336	566
200X150CNGC	22	200	150	263	370	375	355	285	245	200	210	310	180L	370.5	359.5	275	180	235	475	190	800	-	1180	420	390	4-φ15	79	3	1366	582
200X150CNGC	30	200	150	263	370	375	355	285	245	200	210	310	200L	395.5	374.5	324	225	235	495	200	820	-	1220	460	420	4-φ19	94	4	1407	648
200X150CNGC	37	200	150	263	370	375	355	285	245	200	210	310	225S	432	383	335	285	235	495	220	850	-	1290	490	450	4-φ19	97	4	1452	716
250X150CNGC	37	250	150	282	395	445	395	315	276	220	240	415	225S	432	383	335	285	260	565	220	900	-	1340	490	450	4-φ19	109.5	4	1496	834
250X150CNGC	45	250	150	282	395	445	395	315	276	220	240	415	225M	444.5	400.5	335	305	260	565	220	900	-	1340	490	450	4-φ19	109.5	4	1526	854
250X150CNGC	55	250	150	282	395	445	395	315	276	220	240	415	250M	482.5	432.5	375	400	260	565	240	935	-	1415	550	510	4-φ19	124	4	1696	973
250X150CNHC	55	250	150	315	450	445	430	325	299	220	260	500	250M	482.5	432.5	375	400	260	565	240	990	-	1470	550	510	4-φ19	130	4	1684	1064
250X150CNHC	75	250	150	315	450	445	430	325	299	220	260	500	280S	514	466	405	553	260	585	260	1050	-	1570	630	590	4-φ24	157	4	1749	1246
250X150CNHC	90	250	150	315	450	445	430	325	299	220	260	500	280M	539.5	490.5	405	582	260	585	260	1050	-	1570	630	590	4-φ24	157	4	1799	1290
250X150CNJC	75	250	150	350	500	495	470	355	346	220	300	605	280S	514	466	405	553	295	635	270	1120	-	1660	630	590	4-φ24	184	4	1834	1378
250X150CNJC	90	250	150	350	500	495	470	355	346	220	300	605	280M	539.5	490.5	405	582	295	635	270	1120	-	1660	630	590	4-φ24	184	4	1884	1422
250X150CNJC	110	250	150	350	500	495	470	355	346	220	300	605	315S	589	631	555	900	297.5	635	310	1210	-	1830	720	680	4-φ24	236	4	2074	1791
250X150CNJC	132	250	150	350	500	495	470	355	346	220	300	605	315M	614.5	715.5	555	995	297.5	635	310	1210	-	1830	720	680	4-φ24	236	4	2184	1886
250X150CNJC	160	250	150	350	500	495	470	355	346	220	300	605	315L	640	690	555	1070	297.5	635	310	1210	-	1830	720	680	4-φ24	236	4	2184	1880
250X200CNFC	22	250	200	282	395	425	395	315	247	210	210	380	180L	370.5	359.5	275	180	260	545	200	830	-	1230	470	430	4-φ19	98	3	1410	671
250X200CNFC	30	250	200	282	395	425	395	315	247	210	210	380	200L	395.5	374.5	324	225	260	545	210	850	-	1270	470	430	4-φ19	104	4	1451	728
250X200CNFC	37	250	200	282	395	425	395	315	247	210	210	380	225S	432	383	335	285	260	545	230	885	-	1345	490	450	4-φ19	107	4	1496	796
250X200CNEC	15	250	200	273	395	425	395	315	243	210	210	360	160L	345	320	250	132	260	545	190	800	-	1180	470	430	4-φ19	94	3	1336	596
250X200CNEC	18.5	250	200	273	395	425	395	315	243	210	210	360	180M	351.5	348.5	275	164	260	545	200	830	-	1230	470	430	4-φ19	98	3	1371	635
250X200CNEC	22	250	200	273	395	425	395	315	243	210	210	360	180L	370.5	359.5	275	180	260	545	200	830	-	1230	470	430	4-φ19	98	3	1401	651
300X200CNFC	37	300	200	315	450	475	445	355	280	235	235	490	225S	432	383	335	285	295	595	230	970	-	1430	550	510	4-φ19	123	4	1584	922
300X200CNFC	45	300	200	315	450	475	445	355	280	235	235	490	225M	444.5	400.5	335	305	295	595	230	970	-	1430	550	510	4-φ19	123	4	1614	942
300X200CNFC	55	300	200	315	450	475	445	355	280	235	235	490	250M	482.5	432.5	375	400	295	595	240	1030	-	1510	550	510	4-φ19	136	4	1684	1060

Dimension-pump

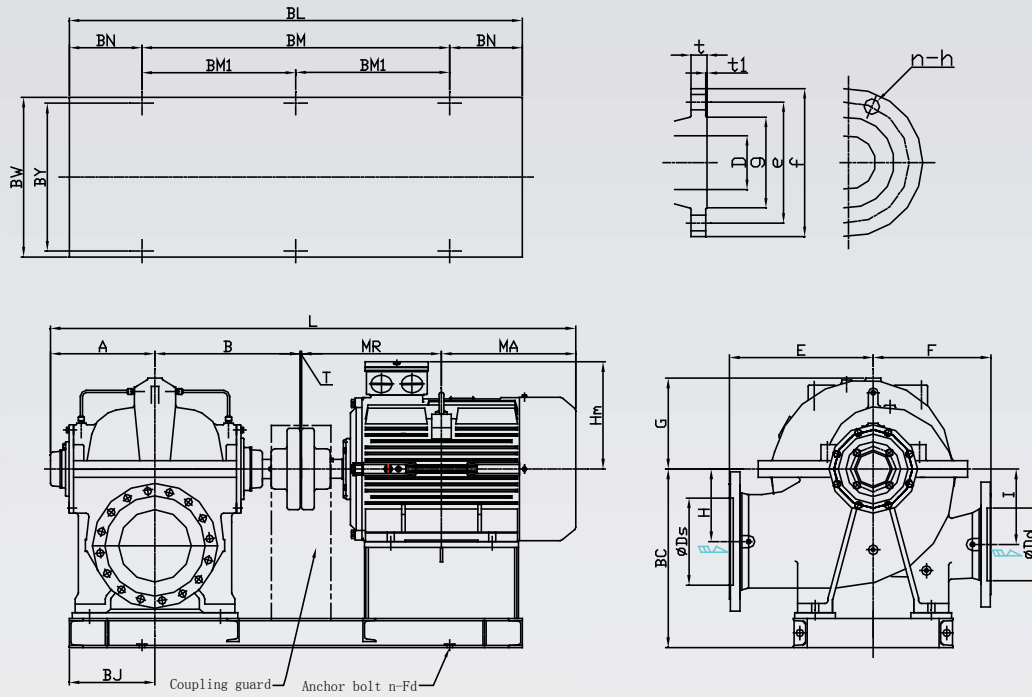
■ Dimensions-CNC Pump With Motor 4-Poles Drive

Model	Motor		Size		Pump								Motor					Common Base								Total size				
	kW	Ds	Dd	A	B	C	E	F	G	H	I	wt (kg)	Frame	MR	MA	Hm	wt (kg)	BJ	BC	BN	BM	BM1	BL	BW	BY	n-Fd	wt (kg)	T	L	wt (kg)
300X200CNGC	55	300	200	315	470	495	445	355	300	250	270	520	250M	482.5	432.5	375	400	295	615	250	1030	-	1530	550	510	4-φ19	143	4	1704	1097
300X200CNGC	75	300	200	315	470	495	445	355	300	250	270	520	280S	514	466	405	553	295	635	270	1090	-	1630	630	590	4-φ24	177	4	1769	1285
300X200CNGC	90	300	200	315	470	495	445	355	300	250	270	520	280M	539.5	490.5	405	582	295	635	270	1090	-	1630	630	590	4-φ24	177	4	1719	1330
300X200CNHC	90	300	200	350	500	495	465	365	332	250	290	625	280M	539.5	490.5	405	582	295	635	270	1120	-	1660	630	590	4-φ24	184	4	1884	1442
300X200CNHC	110	300	200	350	500	495	465	365	332	250	290	625	315S	589	631	555	900	297.5	635	310	1210	-	1830	720	680	4-φ24	236	4	2074	1811
300X200CNHC	132	300	200	350	500	495	465	365	332	250	290	625	315M	614.5	715.5	555	995	297.5	635	310	1210	-	1830	720	680	4-φ24	236	4	2184	1906
300X200CNHC	160	300	200	350	500	495	465	365	332	250	290	625	315L	640	690	555	1070	297.5	635	310	1210	-	1830	720	680	4-φ24	236	4	2184	2000
300X250CNEC	22	300	250	302	415	475	445	355	274	235	235	435	180L	370.5	359.5	275	180	295	595	210	860	-	1280	550	510	4-φ19	113	3	1430	741
300X250CNEC	30	300	250	302	415	475	445	355	274	235	235	435	200L	395.5	374.5	324	225	295	595	220	880	-	1320	550	510	4-φ19	120	4	1491	799
300X250CNEC	37	300	250	302	415	475	445	355	274	235	235	435	225S	432	383	335	285	295	595	240	920	-	1400	550	510	4-φ19	123	4	1536	867
300X250CNFC	37	300	250	335	470	495	495	405	306	250	260	570	225S	432	383	335	285	295	615	250	955	-	1455	550	510	4-φ19	127	4	1624	1006
300X250CNFC	45	300	250	335	470	495	495	405	306	250	260	570	225M	444.5	400.5	335	305	295	615	250	955	-	1455	550	510	4-φ19	127	4	1654	1026
300X250CNFC	55	300	250	335	470	495	495	405	306	250	260	570	250M	482.5	432.5	375	400	295	615	250	1030	-	1530	550	510	4-φ19	143	4	1724	1147
300X250CNFC	75	300	250	335	470	495	495	405	306	250	260	570	280S	514	466	405	553	295	635	270	1090	-	1630	630	590	4-φ24	177	4	1889	1335
300X250CNGC	75	300	250	360	500	495	495	405	313	250	260	620	280S	514	466	405	553	295	635	270	1120	-	1660	630	590	4-φ24	184	4	1844	1392
300X250CNGC	90	300	250	360	500	495	495	405	313	250	260	620	280M	539.5	490.5	405	582	295	635	270	1120	-	1660	630	590	4-φ24	184	4	1894	1437
300X250CNGC	110	300	250	360	500	495	495	405	313	250	260	620	315S	589	631	555	900	297.5	635	310	1210	-	1830	720	680	4-φ24	236	4	2084	1806
300X250CNHC	110	300	250	360	500	520	495	405	337	275	295	615	315S	589	631	555	900	297.5	660	310	1210	-	1830	720	680	4-φ24	236	4	2084	1801
300X250CNHC	132	300	250	360	500	520	495	405	337	275	295	615	315M	614.5	715.5	555	995	297.5	660	310	1210	-	1830	720	680	4-φ24	236	4	2194	1896
300X250CNHC	160	300	250	360	500	520	495	405	337	275	295	615	315L	640	690	555	1070	297.5	660	310	1210	-	1830	720	680	4-φ24	236	4	2194	1989
350X250CNGC	90	350	250	386	530	600	560	450	350	310	303	790	280M	539.5	490.5	405	582	330	740	290	1140	-	1720	740	700	4-φ24	220	4	1950	1643
350X250CNGC	110	350	250	386	530	600	560	450	350	310	303	790	315S	589	631	555	900	330	740	310	1260	-	1880	750	710	4-φ24	286	4	2140	2027
350X250CNGC	132	350	250	386	530	600	560	450	350	310	303	790	315M	614.5	715.5	555	995	330	740	310	1260	-	1880	750	710	4-φ24	286	4	2250	2122
350X250CNGC	160	350	250	386	530	600	560	450	350	310	303	790	315L	640	690	555	1070	330	740	310	1260	-	1880	750	710	4-φ24	286	4	2250	2216
350X250CNGC	200	350	250	386	530	600	560	450	350	310	303	790	315L	640	690	555	1220	330	740	310	1260	-	1880	750	710	4-φ24	286	4	2250	2366
350X300CNFC	75	350	300	386	530	600	560	450	345	310	310	800	280S	514	466	405	553	330	740	290	1140	-	1720	740	700	4-φ24	220	4	1900	1624
350X300CNFC	90	350	300	386	530	600	560	450	345	310	310	800	280M	539.5	490.5	405	582	330	740	290	1140	-	1720	740	700	4-φ24	220	4	1950	1653
350X300CNFC	110	350	300	386	530	600	560	450	345	310	310	800	315S	589	631	555	900	330	740	310	1260	-	1880	750	710	4-φ24	286	4	2140	2037
350X300CNFC	132	350	300	386	530	600	560	450	345	310	310	800	315M	614.5	715.5	555	995	330	740	310	1260	-	1880	750	710	4-φ24	286	4	2250	2132
400X350CNFC	160	400	350	439	585	630	625	510	385	305	344	1035	315L	640	690	555	1070	370	780	330	1330	-	1990	740	700	6-φ24	302	4	2358	2475
400X350CNFC	200	400	350	439	585	630	625	510	385	305	344	1035	315L	640	690	555	1220	370	780	330	1330	-	1990	740	700	6-φ24	302	4	2358	2626
400X350CNFC	250	400	350	439	585	630	625	510	385	305	344	1035	355M	704	826	640	1685	370	780	360	1390	-	2110	830	790	6-φ24	314	5	2529	3138
400X350CNEC	90	400	350	451	600	630	570	470	355	320	320	1030	280M	539.5	490.5	405	582	355	770	290	1235	-	1815	740	700	4-φ24	231	4	2085	1894
400X350CNEC	110	400	350	451	600	630	570	470	355	320	320	1030	315S	589	631	555	900	355	770	340	1310	-	1990	740	700	4-φ24	266	4	2275	2247

■ Dimensions-CNC Pump With Motor 4-Poles Drive

Model	Motor		Size		Pump								Motor						Common Base								Total size			
	kW	Ds	Dd	A	B	C	E	F	G	H	I	wt (kg)	Frame	MR	MA	Hm	wt (kg)	BJ	BC	BN	BM	BM1	BL	BW	BY	n-Fd	wt (kg)	T	L	wt (kg)
400X350CNEC	132	400	350	451	600	630	570	470	355	320	320	1030	315M	614.5	715.5	555	995	355	770	340	1310	-	1990	740	700	4-φ24	266	4	2385	2342
400X350CNEC	160	400	350	451	600	630	570	470	355	320	320	1030	315L	640	690	555	1070	355	770	340	1310	-	1990	740	700	4-φ24	266	4	2385	2434
250X150CNKC	110	250	150	382	530	500	505	430	407	290	345	835	315S	589	631	555	900	297.5	640	310	1240	-	1860	720	680	4-φ24	233	4	2136	2018
250X150CNKC	132	250	150	382	530	500	505	430	407	290	345	835	315M	614.5	715.5	555	995	297.5	640	310	1240	-	1860	720	680	4-φ24	233	4	2246	2113
250X150CNKC	160	250	150	382	530	500	505	430	407	290	345	835	315L	640	690	555	1070	297.5	640	310	1240	-	1860	720	680	4-φ24	233	4	2246	2206
250X150CNKC	200	250	150	382	530	500	505	430	407	290	345	835	315L	640	690	555	1220	297.5	640	310	1240	-	1860	720	680	4-φ24	233	4	2246	2355
250X150CNKC	250	250	150	382	530	500	505	430	407	290	345	835	355M	704	826	640	1685	295	650	340	1300	-	1980	830	790	6-φ24	268	5	2447	2892
300X150CNJC	160	300	150	382	530	500	520	405	384	250	335	785	315L	640	690	555	1070	297.5	640	310	1240	-	1860	720	680	4-φ24	233	4	2246	2156
300X150CNJC	200	300	150	382	530	500	520	405	384	250	335	785	315L	640	690	555	1220	297.5	640	310	1240	-	1860	720	680	4-φ24	233	4	2246	2306
300X150CNJC	250	300	150	382	530	500	520	405	384	250	335	785	355M	704	826	640	1685	295	650	340	1300	-	1980	830	790	6-φ24	268	5	2447	2842
300X150CNJC	315	300	150	382	530	500	520	405	384	250	335	785	355L	739	791	640	1890	295	650	340	1300	-	1980	830	790	6-φ24	268	5	2447	3047
300X200CNJC	160	300	200	382	530	500	525	415	379	275	320	860	315L	640	690	555	1070	297.5	640	310	1240	-	1860	720	680	4-φ24	233	4	2246	2231
300X200CNJC	200	300	200	382	530	500	525	415	379	275	320	860	315L	640	690	555	1220	297.5	640	310	1240	-	1860	720	680	4-φ24	233	4	2246	2381
300X200CNJC	250	300	200	382	530	500	525	415	379	275	320	860	355M	704	826	640	1685	295	650	340	1300	-	1980	830	790	6-φ24	268	5	2447	2881
300X200CNJC	315	300	200	382	530	500	525	415	379	275	320	860	355L	739	791	640	1890	295	650	340	1300	-	1980	830	790	6-φ24	268	5	2447	3122
300X200CNKC	250	300	200	415	585	560	570	475	436	290	380	1070	355M	704	826	640	1685	320	710	350	1360	-	2060	830	790	6-φ24	300	5	2535	3158
300X200CNKC	315	300	200	415	585	560	570	475	436	290	380	1070	355L	739	791	640	1890	320	710	350	1360	-	2060	830	790	6-φ24	300	5	2535	3363
350X250CNHC	160	350	250	414	560	600	560	440	373	315	330	845	315L	640	690	555	1070	297.5	740	310	1240	-	1860	720	680	4-φ24	233	4	2308	2217
350X250CNHC	200	350	250	414	560	600	560	440	373	315	330	845	315L	640	690	555	1220	300	740	320	1270	-	1910	750	710	4-φ24	287	4	2308	2421
350X250CNHC	250	350	250	414	560	600	560	440	373	315	330	845	355M	704	826	640	1685	320	750	350	1340	-	2040	830	790	6-φ24	300	5	2509	2934
350X250CNHC	315	350	250	414	560	600	560	440	373	315	330	845	355L	739	791	640	1890	320	750	350	1340	-	2040	830	790	6-φ24	300	5	2509	3139

Dimensions-CNC Pump With Motor 2-Poles Drive



Cast Iron 16bar Flange (JIS 16K)

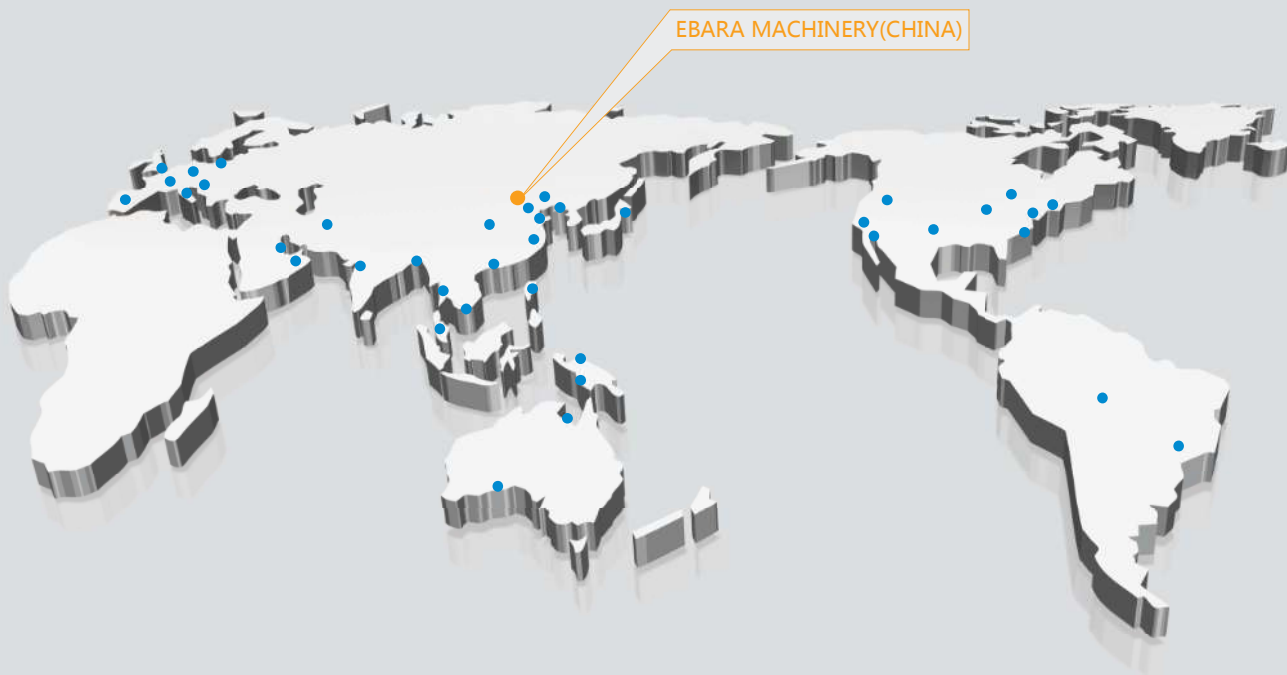
D	g	e	f	t	t1	n	h
80	132	160	200	24	2	8	φ23
100	160	185	225	26	2	8	φ23
125	195	225	270	26	2	8	φ25
150	230	260	305	28	2	12	φ25
200	275	305	350	30	2	12	φ25
250	345	380	430	34	2	12	φ27
300	395	430	480	36	3	16	φ27
350	440	480	540	38	3	16	φ33
400	495	540	605	42	3	16	φ33

Ductile Cast Iron 25bar Flange (JIS 20K)

D	g	e	f	t	t1	n	h
80	132	160	200	22	2	8	φ23
100	160	185	225	24	2	8	φ23
125	195	225	270	26	2	8	φ25
150	230	260	305	28	2	12	φ25
200	275	305	350	30	2	12	φ25
250	345	380	430	34	2	12	φ27
300	395	430	480	36	3	16	φ27
350	440	480	540	40	3	16	φ33
400	495	540	605	46	3	16	φ33

■ Dimensions-CNC Pump With Motor 2-Poles Drive

Model	Motor	Size			Pump								Motor					Common Base								Total			
	kW	Ds	Dd	A	B	C	E	F	G	H	I	wt (kg)	Frame	MR	MA	Hm	wt (kg)	BJ	BC	BN	BM	BL	BW	BY	n-Fd	wt (kg)	T	L	wt (kg)
100X80CSGC	15	100	80	221	250	295	270	240	169	140	140	143	160M	323	292	250	115	170	395	160	625	945	380	350	4-φ15	57	3	1089	334
100X80CSGC	18.5	100	80	221	250	295	270	240	169	140	140	143	160L	345	320	250	128	170	395	160	625	945	380	350	4-φ15	57	3	1139	347
100X80CSGC	22	100	80	221	250	295	270	240	169	140	140	143	180M	351.5	348.5	275	165	170	395	170	615	955	410	380	4-φ15	59	3	1174	386
100X80CSGC	30	100	80	221	250	295	270	240	169	140	140	143	200L	395.5	374.5	324	225	165	415	180	670	1030	450	410	4-φ19	72	4	1245	459
100X80CSHC	30	100	80	221	250	295	280	220	185	150	160	165	200L	395.5	374.5	324	225	165	415	180	670	1030	450	410	4-φ19	72	4	1245	481
100X80CSHC	37	100	80	221	250	295	280	220	185	150	160	165	200L	395.5	374.5	324	246	165	415	180	670	1030	450	410	4-φ19	72	4	1245	502
100X80CSHC	45	100	80	221	250	295	280	220	185	150	160	165	225M	414.5	405.5	335	296	165	415	190	690	1070	490	450	4-φ19	75	4	1295	555
125X100CNGC	30	125	100	231	350	295	290	250	181	150	150	209	200L	395.5	374.5	324	225	165	415	190	750	1130	450	410	4-φ19	75	4	1355	528
125X100CNGC	37	125	100	231	350	295	290	250	181	150	150	209	200L	395.5	374.5	324	246	165	415	190	750	1130	450	410	4-φ19	75	4	1355	549
125X100CNGC	45	125	100	231	350	295	290	250	181	150	150	209	225M	414.5	405.5	335	296	165	415	200	770	1170	490	450	4-φ19	77	4	1405	601
125X100CNGC	55	125	100	231	350	295	290	250	181	150	150	209	250M	482.5	432.5	375	390	165	415	220	840	1280	550	510	4-φ19	88	4	1500	711
125X100CNHC	45	125	100	231	350	295	300	250	195	150	160	242	225M	414.5	405.5	335	296	165	415	200	770	1170	490	450	4-φ19	77	4	1405	639
125X100CNHC	55	125	100	231	350	295	300	250	195	150	160	242	250M	482.5	432.5	375	390	165	415	220	840	1280	550	510	4-φ19	88	4	1500	744
125X100CNHC	75	125	100	231	350	295	300	250	195	150	160	242	280S	514	446	405	504	165	415	230	915	1375	630	590	4-φ19	128	4	1545	898
125X100CNHC	90	125	100	231	350	295	300	250	195	150	160	242	280M	539.5	470.5	405	536	165	415	230	915	1375	630	590	4-φ19	128	4	1595	929
125X80CNJC	75	125	80	231	350	295	330	250	226	150	190	250	280S	514	446	405	504	185	415	240	915	1395	630	590	4-φ19	130	4	1545	908
125X80CNJC	90	125	80	231	350	295	330	250	226	150	190	250	280M	539.5	470.5	405	536	185	415	240	915	1395	630	590	4-φ19	130	4	1595	939
125X80CNJC	110	125	80	231	350	295	330	250	226	150	190	250	315S	559	631	555	865	205	460	240	945	1425	750	710	4-φ24	160	4	1775	1298
150X150CNFC	55	150	150	262	370	355	330	290	205	180	170	253	250M	482.5	432.5	375	390	205	475	230	880	1340	550	510	4-φ19	103	4	1551	770
150X150CNFC	75	150	150	262	370	355	330	290	205	180	170	253	280S	514	446	405	504	205	475	240	955	1435	630	590	4-φ19	119	4	1596	900
150X150CNFC	90	150	150	262	370	355	330	290	205	180	170	253	280M	539.5	470.5	405	536	205	475	240	955	1435	630	590	4-φ19	119	4	1646	931
150X150CNFC	110	150	150	262	370	355	330	290	205	180	170	253	315S	559	631	555	865	205	495	250	945	1445	750	710	4-φ24	165	4	1826	1306
150X125CNGC	90	150	125	271	395	355	330	260	224	190	190	275	280M	539.5	470.5	405	536	205	475	240	980	1460	630	590	4-φ19	121	4	1680	950
150X125CNGC	110	150	125	271	395	355	330	260	224	190	190	275	315S	559	631	555	865	205	495	280	1060	1620	750	710	4-φ24	190	4	1860	1364
150X125CNGC	132	150	125	271	395	355	330	260	224	190	190	275	315M	584.5	715.5	555	960	205	495	280	1060	1620	750	710	4-φ24	190	4	1970	1459
150X125CNGC	160	150	125	271	395	355	330	260	224	190	190	275	315L	610	690	555	1035	205	495	280	1060	1620	750	710	4-φ24	190	4	1970	1534



EBARA MACHINERY(CHINA)CO.,Ltd.

Contact address: Standard Pump Factory

NO.66,Futao Road,Fushan New&Hi-Tech Industry Zone,Yantai,PRC

TEL: +86-535-6988830

FAX: +86-535-6988877

Head Office:

Room303,TowerA, Fortune Plaza

No.7,Dongsanhuan Zhong Road,Chaoyang District,Beijing 100020,PRC

TEL: +86-010-65309990

FAX: +86-010-65308516