



EBARA

Quality System
ISO 9001 : 2000
Lic no: QEC22090
Quality
Endorsed
Company

LPD08CT- R1

VERTICAL IN-LINE CENTRIFUGAL PUMPS

Model **LPDA**

50 Hz

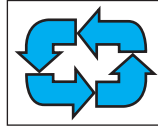


■ APPLICATIONS



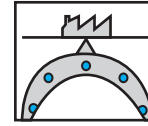
Water Supply

- Boosting pump System
- High-rise building



Water Circulation

- Circulating of water in Heating and cooling



Industrial Use

- Liquid transfer

■ FEATURES

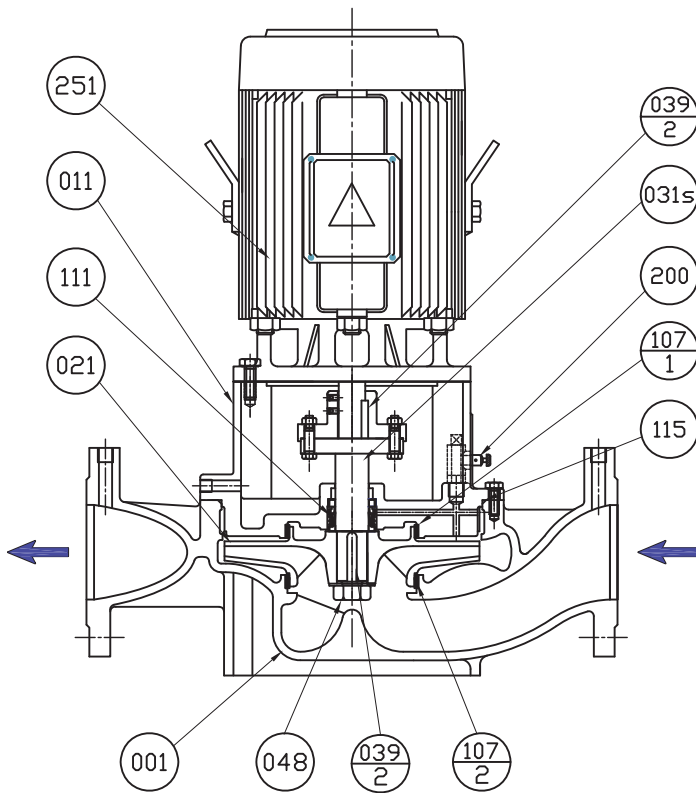
1. Vertical in-line single stage pump.
2. Compact and lightweight.
3. Easy removal and maintenance, BPO (Back pull out) system allows all rotating elements to be removed without disconnecting suction and discharge pipe work.
4. In-line suction – discharge.
5. Non-overload design to ensure stable performance for all applications.
6. Wide range application with flow capacity up to 10 m³/min.
7. Higher working pressure up to 16 bars.

■ SPECIFICATIONS

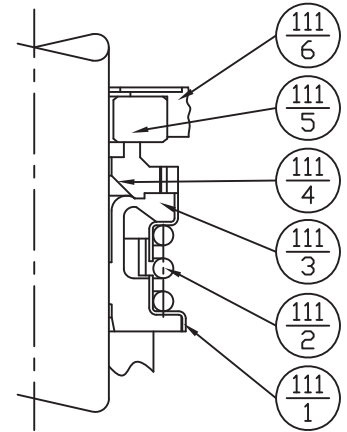
Description		Standard	Option
Liquid handled	Type of Liquid	Fresh Water	
	Temperature	0 ~ 100 °C	
Max. Positive suction pressure		10 bar	16 bar
Max. Discharge pressure		16 bar	20 bar
Approximation speed		1450 min ⁻¹	1750 min ⁻¹
Location		Indoor / Outdoor	
Covering Range	Suction Dia.	100 to 200 mm	
	Flow rate	0.4 to 10 m ³ /min	
	Power	1.5 to 75 kW	
Construction	Pump Type	Inline	
	Casing split	Vertical back pull out	
	Impeller	Enclosed	
	Shaft seal	Mechanical Seal	
	Shaft	Stub Shaft	
	Sealing	Self flushing	External flushing
Material	Casing	Cast Iron	Ductile cast iron; Bronze
	Impeller	Bronze	Cast Iron
	Shaft	SUS 304 stainless steel	
	Mech. Seal	Ceramic/Carbon	SiC/Carbon; SiC/SiC
	Motor Casing	Aluminum	Cast Iron
Flanges	Suction	DIN PN-16	JIS 16 KRF; ANSI 250
	Discharge	DIN PN-16	JIS 16 KRF; ANSI 250
Motor	Type	IEC Standard, Flange Mounted type	NEMA Standard, Flange Mounted type
	No. of pole	4	
	Synchr. Speed	1500 min ⁻¹	1800 min ⁻¹
	Insulation class	F	
	Protection	IP 55	
	Volt/ Phase/ Hz	380V-415V / 3 Ph. / 50 Hz	400V-460/ 3 Ph. / 60 Hz

SECTIONAL VIEW

• Pump



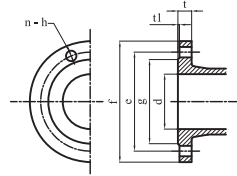
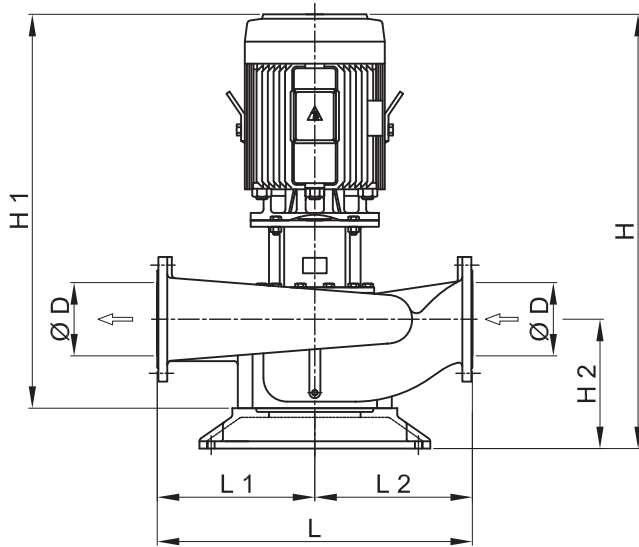
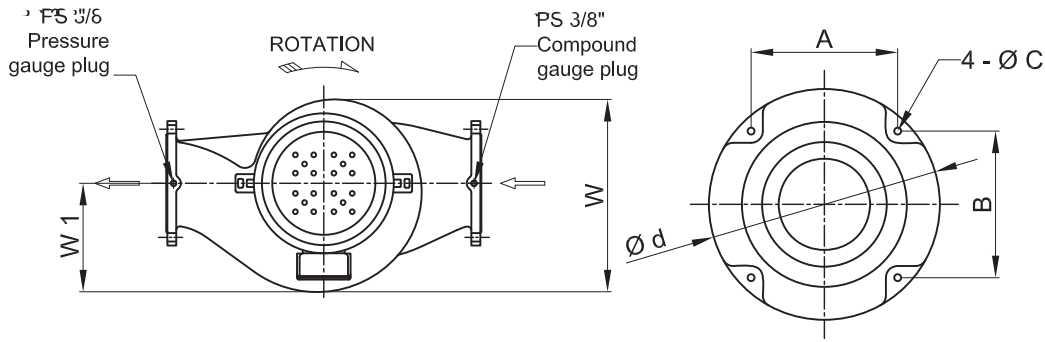
• Mechanical Seal



251	Electric Motor	-	1
200	Air Vent Valve	-	1
115	"O" Ring	NBR	1
111	Mechanical Seal	-	1
107	Liner Ring	BC 6	2
048	Impeller Nut	BRASS	1
039-2	Key	SUS 316	1
039-1	Key	S35C	1
031	Stub Shaft	SUS 304	1
021	Impeller	BC 6	1
011	Casing Bracket	FC 250	1
001	Casing	FC 250	1
Part No.	Part Name	Material	Qty

111-6	Cup Gasket	NBR	1
111-5	Mating Ring	Ceramic	1
111-4	Seal Ring	Carbon	1
111-3	Bellows	NBR	1
111-2	Spring	Stainless	1
111-1	Spring Holder	Steel	1
Part No.	Part Name	Material	Qty

DIMENSIONS



Flange DIN PN-16

Unit: mm

d	e	f	g	t	t1	n	h
mm	mm	mm	mm	mm	mm	mm	mm
100	180	220	153	25	3	8	19
125	210	250	183	25.5	3	8	19
150	240	285	209	26	3	8	23
200	295	340	264	27.5	3	12	23

SIZE (mm)	Model	Output (kW)	Motor Frame Size	ØD	H2	H1	H	L1	L	W1	W	A	B	φC	φd	Weight kg	
100	100 LPD4GA	1.5	90L	100	195	631.5	692	260	520	153	282	130	130	16	230	70	
		2.2	100L			646.5	706.5									80	
	100 LPD4HA	2.2	100L	100	60	634.5	694.5	260	520	170	316	130	130	16	230	93	
		3.7	112M			691	751									104	
	100 LPD4JA	100 LPD4JA	3.7	112M	100	200	676	751	280	560	185	352	220	220	16	270	120
			5.5	132S			705	780									138
125	125 LPD4GCA	2.2	100L	125	240	664.5	739.5	300	600	178	320	220	220	16	270	82	
		3.7	112M			721	796									93	
	125 LPD4HCA	5.5	132S	125	240	759	834	300	600	185	343	220	220	16	270	126	
		7.5	132M			797	872									140	
	125 LPD4JCA	125 LPD4JCA	5.5	132S	125	285	789	879	350	700	225	414	300	300	19	350	197
			7.5	132M			827	917									212
			11	160M			943	1033									250
	125 LPD4KA	125 LPD4KA	15	160L	125	250	937	1027	350	700	246	465	300	300	19	370	274
			18.5	180MC			957	1047									314
	125 LPD4LA	125 LPD4LA	22	180LC	125	260	1068	1158	390	780	270	520	300	300	19	370	407
			30	200LC			1161	1251									480
	150	150 LPD4HA	7.5	132M	150	290	832	922	350	700	243	430	300	300	19	350	193
11			160M	948			1038	230									
15			160L	992			1082	248									
150 LPD4JA		150 LPD4JA	15	160L	150	295	997	1087	400	800	475	264	300	300	19	370	268
			18.5	180MC			1017	1107									308
150 LPD4KA		150 LPD4KA	22	180LC	150	310	1055	1145	400	800	278	530	400	400	19	420	340
			30	200LC			1158	1268									457
150 LPD4LA		150 LPD4LA	37	225SC	150	310	1209	1319	400	800	278	530	400	400	19	420	506
			45	225MC			1225	1335									580
150 LPD4LA		150 LPD4LA	55	250SC	150	308	1205	1315	450	900	310	600	400	400	19	450	705
	75		250MC	1335			1445	780									
200	200 LPD4HA	5.5	132S	200	340	844	934	450	900	270	480	300	300	19	370	216	
		7.5	132M			882	972									230	
	200 LPD4JA	200 LPD4JA	11	160M	200	340	998	1088	450	900	270	480	300	300	19	370	269
			15	160L			1057	1167									328
	200 LPD4KA	200 LPD4KA	18.5	180MC	200	355	1077	1187	430	860	296	544	400	400	19	420	368
			22	180LC			1115	1225									400
			30	200LC			1208	1318									474
	200 LPD4LA	200 LPD4LA	37	225SC	200	350	1251	1361	450	900	315	568	450	450	19	450	553
			45	225MC			1276	1386									577
	200 LPD4LA	200 LPD4LA	55	250SC	200	350	1348	1458	450	900	315	568	450	450	19	450	700

All specification subject to change without prior notice.



EBARA CORPORATION

Head Office, Tokyo	Phone : 81 - 3 - 3743 - 6111	
International Division, Tokyo	Phone : 81 - 3 - 5461 - 6111	
Singapore Office	Phone : 65 - 862 - 3536	Fax : 65 - 861 - 0589
Beijing Office	Phone : 86 - 10 - 6590 - 8150	Fax : 86 - 10 - 6590 - 8158
Bangkok Office	Phone : 66 - 2 - 216 - 4935	Fax : 66 - 2 - 216 - 4937
Hanoi Office	Phone : 84 - 4 - 826 - 3601	Fax : 84 - 4 - 826 - 3617
Jakarta Office & Factory	Phone : 62 - 21 - 8740852	Fax : 62 - 21 - 8740033
Kuala Lumpur Office	Phone : 603 - 5569 - 1655	Fax : 603 - 5569 - 3766
Manila Office	Phone : 63 - 2 - 816 - 7524	Fax : 63 - 2 - 817 - 6662
Taipei Office	Phone : 886 - 2 - 567 - 1310	Fax : 886 - 2 - 567 - 1046
Dubai Office	Phone : 971 - 4 - 883 - 8889	Fax : 971 - 4 - 883 - 5307

Distributor / Dealer