



EBARA

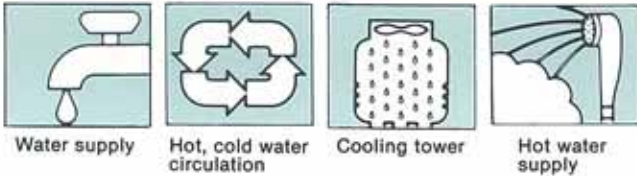
CF1301L

IN-LINE PUMP

Model **LPD**



APPLICATIONS



Water supply

Hot, cold water circulation

Cooling tower

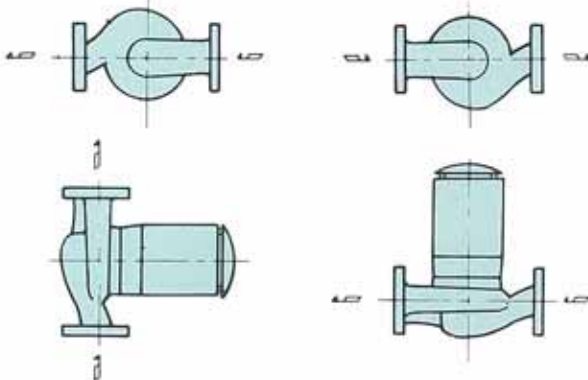
Hot water supply

FEATURES

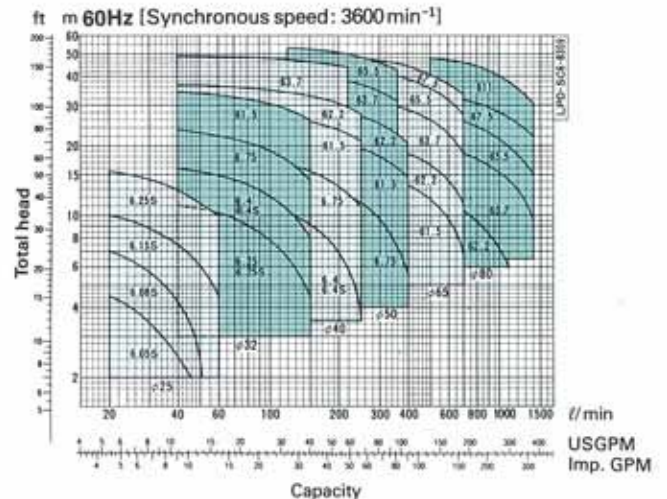
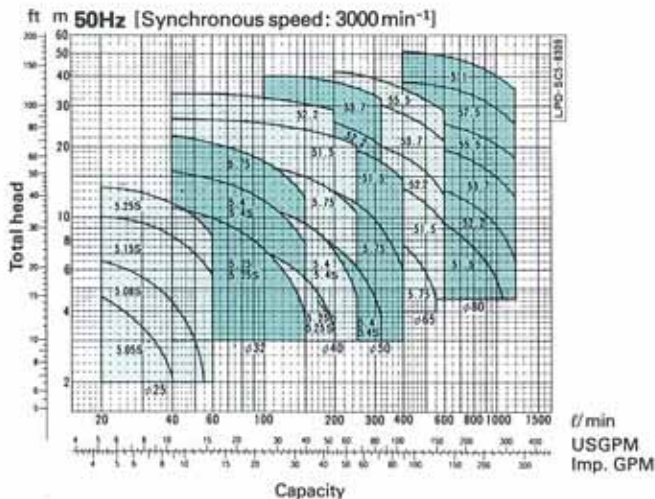
1. The two-pole and high speed system makes the pump compact, lightweight and minimizes installation space.
2. No floor space is required for installation.
3. High allowable temperature (Max. 100°C) and high suction pressure (Max. 7kgf/cm²) are available.
4. Sealed ball bearing eliminates need of lubrication.
5. Mechanical seal facilitates maintenance.
6. Weather proof cover is available as an option.

INSTALLATION

■ Following installations are permissible.



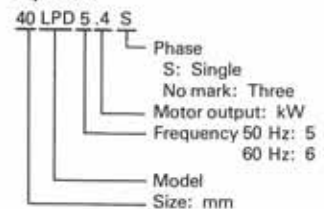
SELECTION CHARTS



SPECIFICATIONS

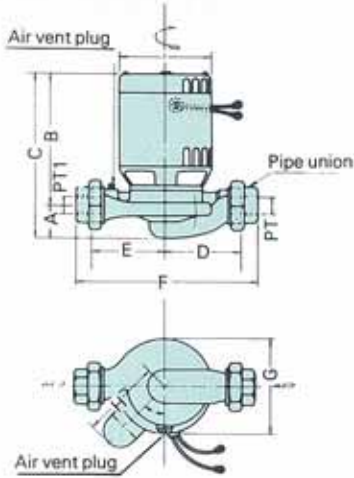
	25LPD	32 – 80LPD
Liquid Temperature Re. NPSH	Fresh water 0 – 100°C Below 4m	Fresh water 0 – 100°C Below 4m Except 80LPD 50Hz ... Below 4.5m 80LPD 60Hz ... Below 6.5m
Max. Suction Pressure	2 kgf/cm ²	$(10 \cdot \frac{\text{Shut off head}}{10})$ kgf/cm ² Max. 7 kgf/cm ²
Construction Impeller Shaft seal Motor bearing	Enclosed Mechanical seal Sealed ball	Enclosed Mechanical seal Sealed ball
Pipe connection	Union for gas pipe	JIS10kgf/cm ² Flange
Material Casing Impeller	Cast iron 304 Stainless steel	Cast iron 304 stainless steel ... 50Hz: Size 50 & below with output 1.5 kw & below ... 60Hz: Size 50 & below with output 2.2 kw & below Bronze ... Except above models
Shaft	304 Stainless steel	304 stainless steel ... 50Hz: Size 50 & below with output 1.5 kW & below ... 60Hz: Size 50 & below with output 2.2 kW & below 403 stainless steel ... Except above models
Motor	Open drip proof (Note: TEFC is not available)	Open drip proof (TEFC ... option, but single phase is not available)

Symbol

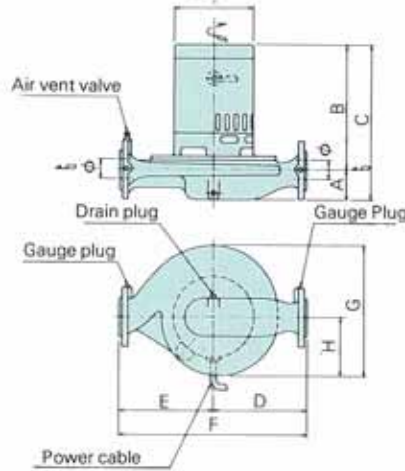


DIMENSIONS

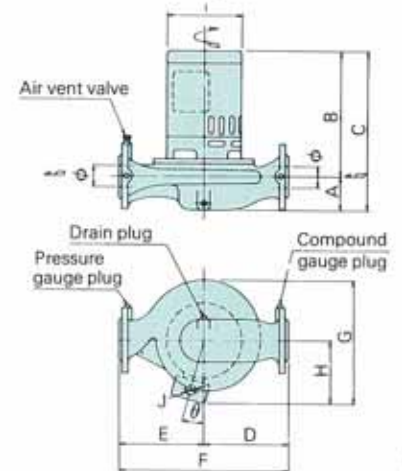
25LPD



32 ~ 80LPD Single phase



Three phase



Single phase 50Hz

Size mm	Model	Out-put kW	Pump										Wt. Mass kg	
			A	B	C	D	E	F	G	H	I	J		φ*
25	25LPD5.05S	0.05	47	176	223	100	100	250	127	108	128	45	—	10
	25LPD5.08S	0.08	47	176	223	100	100	250	127	108	128	45	—	10
	25LPD5.15S	0.15	47	215	262	120	120	290	160	110	142	40	—	13
	25LPD5.25S	0.25	47	215	262	120	120	290	160	115	142	45	—	14
32	32LPD5.25S	0.25	68	265	333	140	140	280	196	95	130	—	—	18.5
	32LPD5.4S	0.4	68	283	351	140	140	280	196	95	130	—	—	20.5
40	40LPD5.25S	0.25	70	265	335	155	145	300	200	95	130	—	—	19.5
	40LPD5.4S	0.4	70	283	353	155	145	300	200	95	130	—	—	21.5
50	50LPD5.4S	0.4	78	265	347	160	150	310	207	95	130	—	—	23

60Hz

Size mm	Model	Out-put kW	Pump										Wt. Mass kg	
			A	B	C	D	E	F	G	H	I	J		φ*
25	25LPD6.05S	0.05	47	176	223	100	100	250	127	108	128	45	—	10
	25LPD6.08S	0.08	47	176	223	100	100	250	127	108	128	45	—	10
	25LPD6.15S	0.15	47	215	262	120	120	290	160	110	142	40	—	13
	25LPD6.25S	0.25	47	215	262	120	120	290	160	115	142	45	—	14
32	32LPD6.25S	0.25	68	265	333	140	140	280	196	95	130	—	—	18.5
	32LPD6.4S	0.4	68	283	351	140	140	280	196	95	130	—	—	20.5
40	40LPD6.4S	0.4	70	283	353	155	145	300	235	130	130	—	—	19.5

Three phase 50Hz

Size mm	Model	Out-put kW	Pump										Wt. Mass kg	
			A	B	C	D	E	F	G	H	I	J		φ*
32	32LPD5.25	0.25	68	242	310	140	140	280	231	130	131	22	15	17.5
	32LPD5.4	0.4	68	242	310	140	140	280	231	130	131	22	15	18.5
	32LPD5.75	0.75	68	284	352	140	140	280	241	140	172	22	—	26.0
40	40LPD5.25	0.25	70	242	312	155	145	300	235	130	131	22	15	18.0
	40LPD5.4	0.4	70	242	312	155	145	300	235	130	131	22	15	19.5
	40LPD5.75	0.75	70	284	354	155	145	300	245	140	172	22	—	27.0
	40LPD1.5	1.5	70	315	385	155	145	300	255	150	196	22	—	35.0
50	40LPD52.2	2.2	87	356	443	180	160	340	266	155	196	27	—	46.5
	50LPD5.4	0.4	78	252	330	160	150	310	242	130	131	22	15	21.0
	50LPD5.75	0.75	78	294	372	160	150	310	255	140	172	22	—	29.0
	50LPD1.5	1.5	78	325	403	160	150	310	262	150	196	22	—	37.0
65	50LPD52.2	2.2	83	363	446	160	150	310	264	155	196	27	—	47.5
	50LPD53.7	3.7	95	404	499	175	165	340	290	170	224	27	—	64.5
	65LPD5.75	0.75	88	318	406	175	165	340	259	140	172	22	—	35.0
	65LPD1.5	1.5	88	350	438	175	165	340	269	150	196	22	—	43.0
80	65LPD52.2	2.2	88	380	468	175	165	340	274	155	196	27	—	48.0
	65LPD53.7	3.7	95	412	507	185	185	370	285	170	224	27	—	62.0
	65LPD55.5	5.5	95	413	508	190	180	370	340	205	267	35	—	80.5
	80LPD5.15	1.5	110	340	450	200	190	390	270	150	196	22	—	46.0
80	80LPD52.2	2.2	110	370	480	200	190	390	275	155	196	27	—	51.0
	80LPD53.7	3.7	110	417	527	200	190	390	293	170	224	27	—	63.5
	80LPD55.5	5.5	110	418	528	200	190	390	328	205	267	35	—	80.0
	80LPD57.5	7.5	110	458	568	220	210	430	340	205	267	35	—	97.0
80LPD511	11	110	548	658	220	210	430	431	285	318	52	—	123.0	

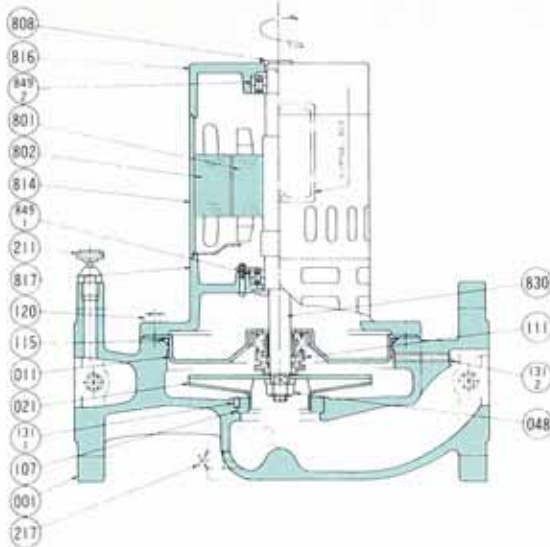
Note: Motor specification; Open drip proof.

60Hz

Size mm	Model	Out-put kW	Pump										Wt. Mass kg	
			A	B	C	D	E	F	G	H	I	J		φ*
32	32LPD6.25	0.25	68	242	310	140	140	280	231	130	131	22	15	17.5
	32LPD6.4	0.4	68	242	310	140	140	280	231	130	131	22	15	18.5
	32LPD6.75	0.75	68	284	352	140	140	280	241	140	172	22	—	26.0
	32LPD6.15	1.5	68	315	383	140	140	280	251	150	196	22	—	34.0
40	40LPD6.4	0.4	70	242	312	155	145	300	235	130	131	22	15	19.5
	40LPD6.75	0.75	70	284	354	155	145	300	245	140	172	22	—	27.0
	40LPD6.15	1.5	70	315	385	155	145	300	255	150	196	22	—	35.0
	40LPD6.2.2	2.2	70	355	425	155	145	300	260	155	196	27	—	40.0
50	40LPD63.7	3.7	87	398	485	180	160	340	281	170	224	27	—	59.0
	50LPD6.75	0.75	78	294	372	160	150	310	255	140	172	22	—	29.0
	50LPD6.15	1.5	78	325	403	160	150	310	262	150	196	22	—	37.0
	50LPD6.2.2	2.2	78	365	443	160	150	310	267	155	196	27	—	42.0
65	50LPD63.7	3.7	83	405	488	160	150	310	279	170	224	27	—	60.0
	50LPD65.5	5.5	95	405	500	175	165	340	325	205	267	35	—	77.0
	65LPD6.15	1.5	88	350	438	175	165	340	269	150	196	22	—	43.0
	65LPD6.2.2	2.2	88	380	468	175	165	340	269	150	196	27	—	48.0
80	65LPD63.7	3.7	88	422	510	175	165	340	289	170	224	35	—	61.5
	65LPD65.5	5.5	95	413	508	185	185	370	320	205	267	35	—	78.0
	65LPD67.5	7.5	95	453	548	190	180	370	340	205	267	35	—	104.0
	80LPD6.2.2	2.2	110	370	480	200	190	390	275	155	196	27	—	51.0
80	80LPD63.7	3.7	110	412	522	200	190	390	290	170	224	35	—	63.5
	80LPD65.5	5.5	110	418	528	200	190	390	328	205	267	35	—	80.0
	80LPD67.5	7.5	110	458	568	200	190	390	328	205	267	35	—	92.5
	80LPD611	11	110	548	658	220	210	430	420	285	318	52	—	121.0

CONSTRUCTIONS

Sectional View



PART NO.	PART NAME
001	CASING COVER
011	CASING COVER
021	IMPELLER
048	IMPELLER NUT
107	CASING RING
111	MECHANICAL SEAL
115	O-RING
120	BOLTS
131-1	SPRING PIN
131-2	SPRING PIN
217	DRAIN PLUG
801	ROTOR
802	STATOR
808	CAP
814	MOTOR FRAME
816	UPPER BRACKET
817	LOWER BRACKET
830	SHAFT
849-1	BALL BEARING
849-2	BALL BEARING

Note: This drawing represents standard model LPD. There may be some variations according to model.

Weather proof cover



Weather proof cover is available as an option. Note: For Models whose output is 0.25 and 0.4kW (except 25LPD), weather proof cover is standard.

For use with rust free water

Stainless steel In-line Pumps models LPS are available

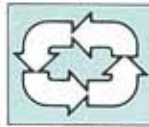
Features

- For high Temperature (Max. 100°C)
- Light weight
- For high suction pressure (Max. 4kgf/cm²)

Applications



Water supply



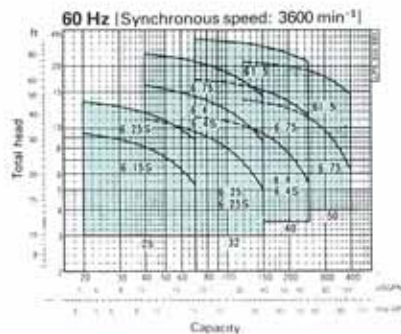
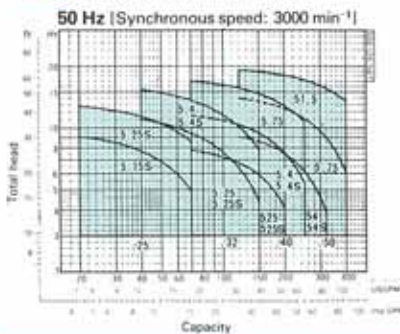
Hot, cold water circulation



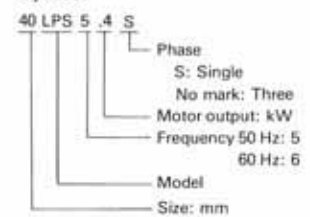
Hot water supply



Selection charts



Symbol



EBARA CORPORATION

Head Office	Phone: 03-3743-6111
International Division	Phone: 03-5714-6111
Beijing Office	Phone: 86-6590-8150
Taipei Office	Phone: 886-2-2567-1310
Manila Office	Phone: 63-2-816-7524
Bangkok Office	Phone: 66-2-216-4935
Jakarta Office	Phone: 62-21-4205522
Scotland Office	Phone: 44-1506-460-232

All specifications subject to change without notice.

In this catalog, the particulars in [] are in accordance with the International System of Units (SI) and given for reference only.

Distributed by