

# LPDC VERTICAL IN-LINE PUMP



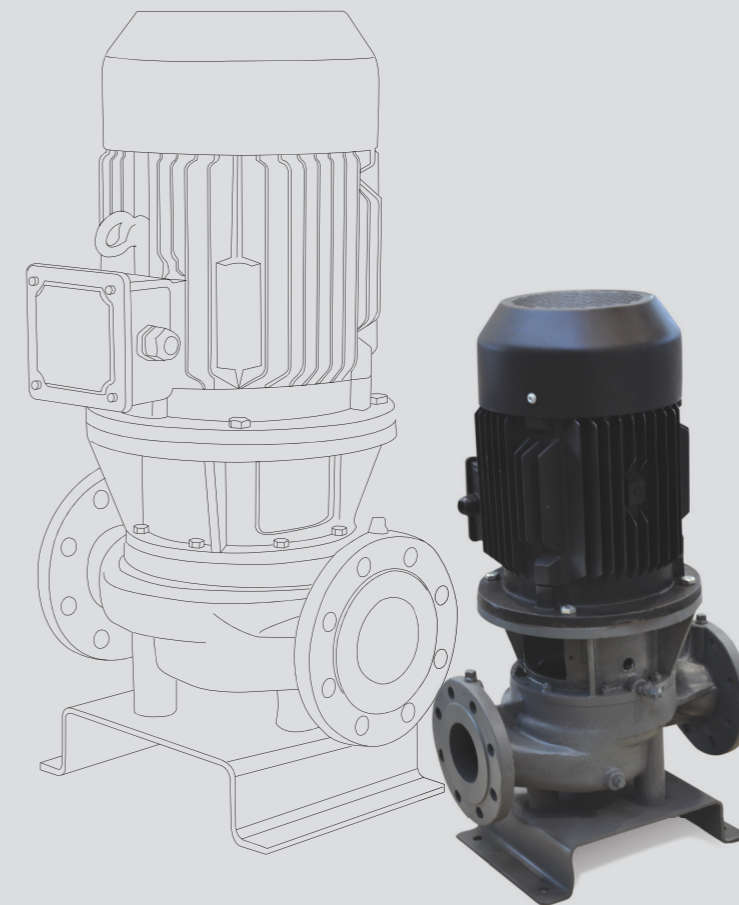
50HZ



## EBARA MACHINERY(CHINA) CO.,LTD.

Contact address: Standard Pump Factory  
NO.66,Futao Road,Fushan New&Hi-Tech Industry Zone,Yantai,PRC  
TEL: +86-535-6988830  
FAX: +86-535-6988877

Head Office:  
Room303,TowerA, Fortune Plaza  
No.7,Dongsanhuan Zhong Road,Chaoyang District,Beijing 100020,PRC  
TEL: +86-010-65309990  
FAX: +86-010-65308516



EBARA MACHINERY (CHINA) CO., LTD.



# EBARA

## MACHINERY (CHINA)

### Ebara Machinery (China) Co., Ltd.

As the wholly owned subsidiary company of Ebara Subsidiary Corporation, Ebara Machinery (China) devotes itself to the expansion of Ebara's wind and hydraulic power business in China and supplying of advanced general pump, cooling tower, water supply system, heat exchanger and water treatment products and other services with high quality for clients.

Ebara is famous for producing advanced water pump, water supply system, cooling tower and heat exchanger. As a combined environment engineering enterprise, Ebara is staffed with over 15000 employees with its business covered 24 countries across the world, there are more than 107 production bases, branches and R&D research centers. By now, Ebara has made contributions to different fields and is enjoying reliability from tens of thousands of clients across the world.

Ebara Machinery (China) would make great efforts to promote the development of local clients; And as a part of Ebara Corporation, our mission is to offer strong strategic support to Ebara.

## Index

■ Index	1
■ About the product	2
■ Model code/identification	3
■ Selection chart	4
■ Sectional view	5-6
■ Dimension	7-9

## About the product

### ■ Features

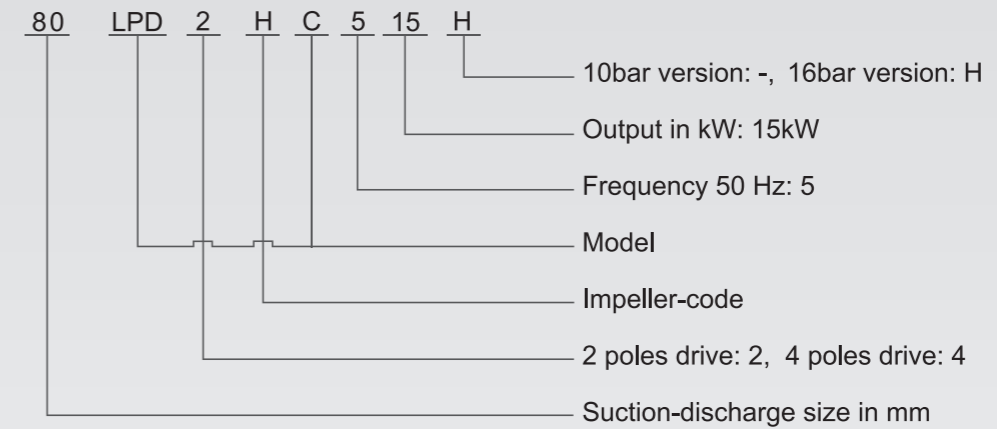
- Vertical in-line single stage pump.
- Light weight, compact construction with vertical in-line design, thus save space during installation.
- Easy removal and maintenance, VPO (vertical pull out) system allows all rotating elements to be removed without disconnecting suction and discharge pipe work.
- In-line suction - discharge.
- Shaft seal use mechanical seal type to ensure no leakage during pumping operation.
- No alignment required.
- Higher working pressure up to 16 bars.

### ■ Applications

- Water supply
- Drainage & Irrigation
- Booster pumps
- Air-conditioning
- Hot and cold water supply
- Water circulation
- Swimming pool
- Industrial use

## Model code/identification

### ■ Model code



### ■ Pump specifications

Max.Working Pressure		10bar	16bar
Liquid Handled	Name	Clean water(pH:5.8 ~ 8.6)	
	Temperature	0 ~ 80 °C	
Max. discharge pressure		10bar	16bar
Construction	Type	In-line	
	Impeller	Enclosed	
	Shaft seal	Mechanical seal	
	Flushing	Self-flushing	
Material	Casing	Cast iron	Cast iron/Ductile cast iron (※)
	Impeller	Bronze Casting(stainless steel optional)	
	Mechanical seal	Ceramic/Carbon/NBR	
	Shaft	Stainless steel	
Flange	Suction	DIN PN-10	DIN PN-16
	Discharge	DIN PN-10	DIN PN-16

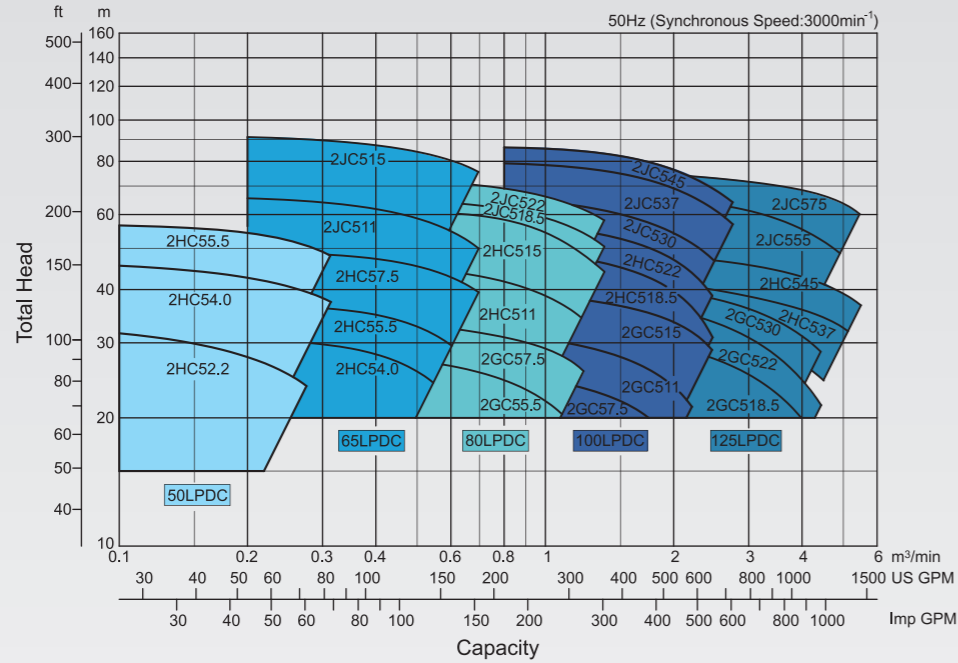
NOTE: ※100mm & above: Cast iron material;  
 ※100mm below: Ductile cast iron

### ■ Motor specifications

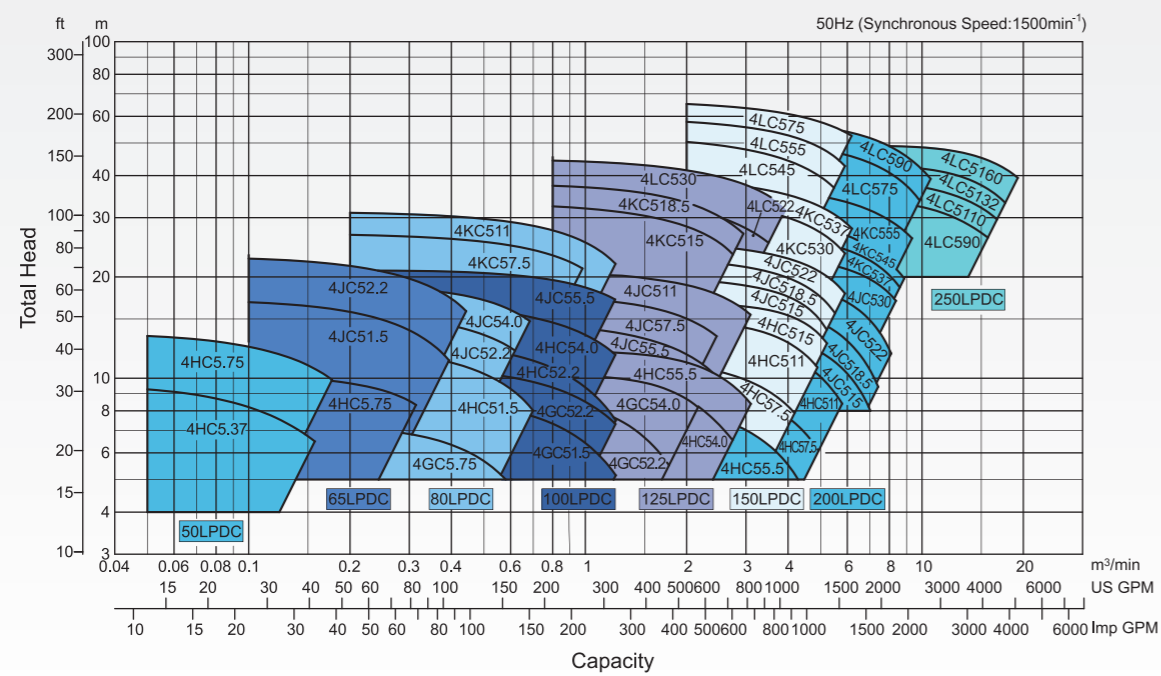
Number of poles	2 poles	4 poles
Synchronous speed	3000min <sup>-1</sup>	1500min <sup>-1</sup>
Phase	3 phase	
Voltage	50Hz 380V±10%	
Type	Totally enclosed fan cooled(indoors)	
Protection degree	IP55 F	
Frequency	No available	

## Selection chart

### 2P

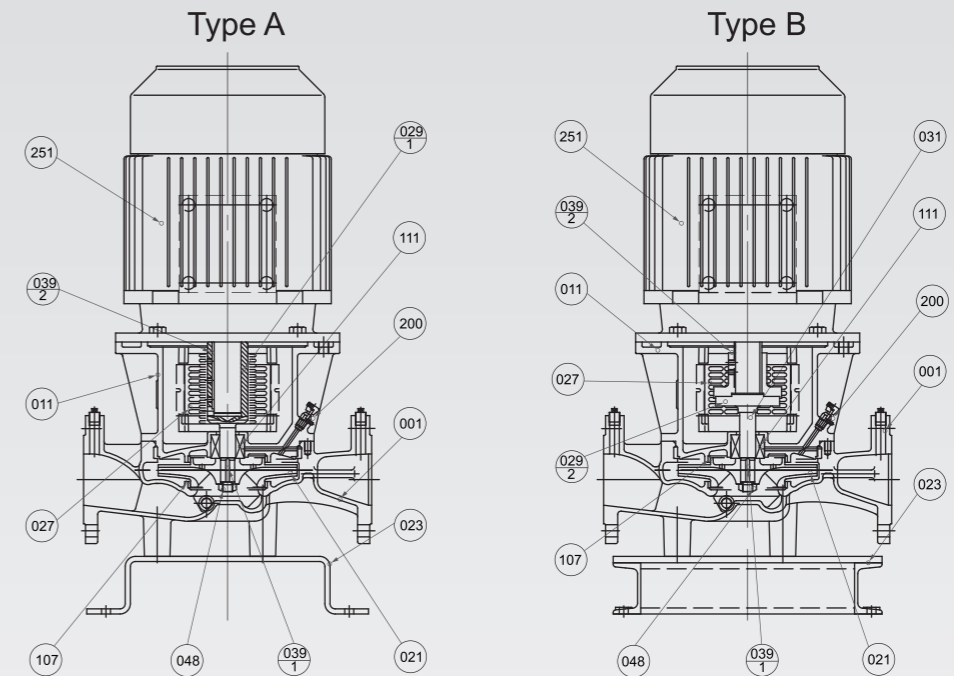


### 4P



## Sectional view

### Pump



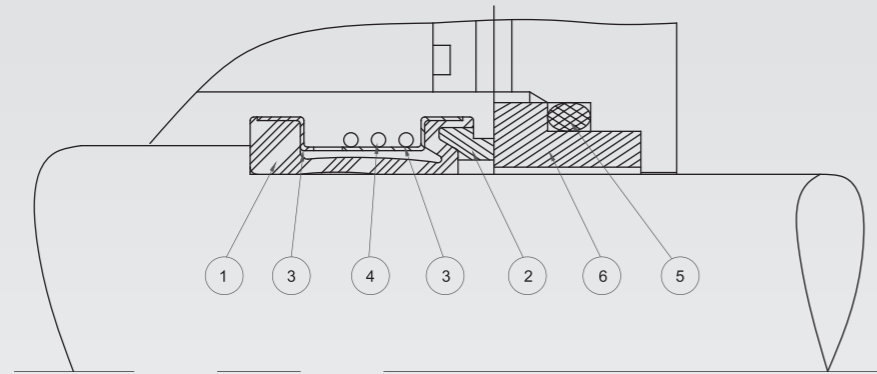
### Pump specifications

Part No.	Part Name	Material		Qty/Unity
		10bar	16bar	
251	Electric motor	—		1
200	Air vent valve	Brass		1
111	Mechanical seal	Ceramic/Carbon/NBR		1
107	Liner ring	Bronze		2
048	Impeller Nut	Brass		1
039-2	Key	Carbon steel		1
039-1	Key	Stainless steel		1
031	Shaft	Stainless steel		1
029-2	Coupling(※3)	Cast Iron		1
029-1	Extension of shaft(※3)	Stainless steel		1
027	Connection frame protection cover	Stainless steel		2
023	Base(※2)	Carbon steel		1
021	Impeller	Bronze(SS available as option)		1
011	Casing Bracket	Cast Iron		1
001	Casing	Cast Iron	Ductile Cast Iron/Cast Iron(※1)	1

NOTE: ※1. For 16 bar model, diameter below 100mm are made of Ductile Cast Iron, while diameter 100mm and above are made of Cast Iron  
 ※2. Pump with diameter below 125mm use stamping base(see type A), while 125mm and above use channel steel base plate(see type B)  
 ※3. For pump diameter below 200mm, the shaft coupling between motor and pump use extended shaft for 200 LPDC and 250 LPDC use rigidity direct coupling

## Sectional view

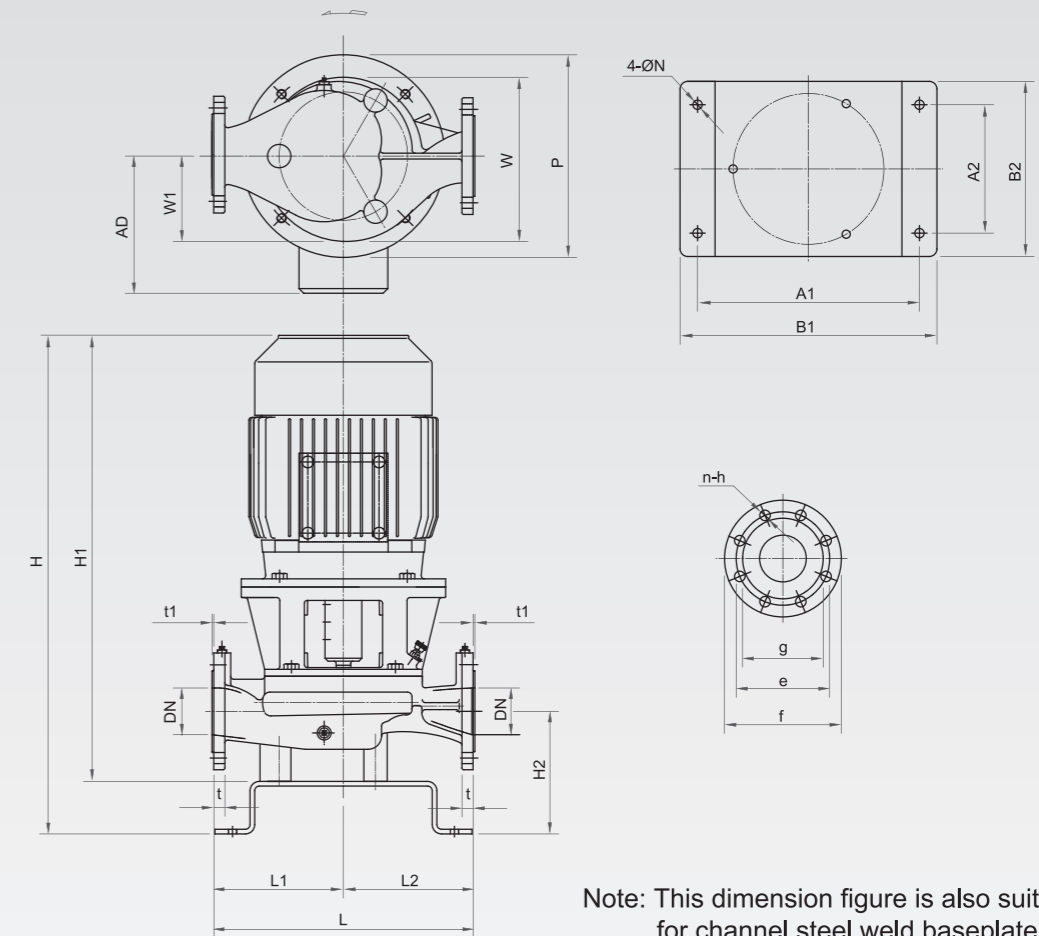
### Mechanical seal



Part No.	Part model	Material	Quantity/set
1	bellows	NBR	1
2	rotating ring	Graphite	1
3	drive ring	NBR	1
4	spring	SS316	1
5	L pad	NBR	1
6	Static ring	Ceramic	1

## Dimension

### Pump



Note: This dimension figure is also suitable for channel steel weld baseplate.

### Flange

1.0MPa

DN mm	f mm	e mm	g mm	t1 mm	t mm	n -	h mm
50	165	125	102	3	20	4	18
65	185	145	122	3	20	4	18
80	200	160	138	3	22	8	18
100	220	180	158	3	24	8	18
125	250	210	188	3	26	8	18
150	285	240	212	3	26	8	22
200	340	295	268	3	26	8	22
250	395	350	320	3	28	12	22

1.6MPa

DN mm	f mm	e mm	g mm	t1 mm	t mm	n -	h mm
50	165	125	102	3	20	4	18
65	185	145	122	3	20	4	18
80	200	160	138	3	22	8	18
100	220	180	158	3	24	8	18
125	250	210	188	3	26	8	18
150	285	240	212	3	26	8	22
200	340	295	268	3	30	12	22
250	405	355	320	3	32	12	26

Dimension

2P

Model	Output kW	Frame	DN mm	L mm	L1 mm	L2 mm	H2 mm	H1 mm	H mm	W1 mm	W mm	AD mm	P mm	A1 mm	A2 mm	B1 mm	B2 mm	ØN mm	Weight kg
50LPD2HC	2.2	90L	50	400	200	200	125	562.5	597.5	135	270	155	200	320	180	360	280	14	62
	4.0	112M						632	667			190	250						77
	5.5	132S						649	684			210	300						103
65LPD2HC	4.0	112M	65	400	200	200	135	637	672	135	270	190	250	320	180	360	280	14	82
	5.5	132S						654	689			210	300						108
	7.5	132S						654	689			210	300						111
65LPD2JC	11	160M	65	450	230	220	135	813	848	160	320	248	350	360	200	400	320	14	156
	15	160M						813	848			248	350						166
80LPD2GC	5.5	132S	80	400	200	200	145	664	699	134	247	210	300	290	180	330	250	14	98
	7.5	132S						664	699			210	300						101
80LPD2JC	18.5	160L	80	450	225	225	155	892	927	170	330	248	350	370	230	410	330	14	194
	22	180M						912	947			268	350						229
80LPD2HC	11	160M	80	450	225	225	155	833	868	146	281	248	350	340	200	380	300	14	155
	15	160M						833	868			248	350						165
100LPD2GC	7.5	132S	100	520	260	260	170	679	714	153	282	210	300	320	180	360	280	14	111
	11	160M						833	868			248	350						166
	15	160M						833	868			248	350						176
100LPD2HC	18.5	160L	100	520	260	260	165	887	922	170	316	248	350	360	200	400	320	14	196
	22	180M						907	942			268	350						231
100LPD2JC	30	200L	100	560	280	280	165	1035	1075	185	352	304	400	360	200	400	320	14	290
	37	200L						1035	1075			304	400						309
	45	225M						1076	1116			328	450						367
125LPD2HC	30	200L	125	600	300	300	243	1088	1158	185	343	304	400	370	250	410	370	14	285
	37	200L						1088	1158			304	400						304
	45	225M						1129	1199			328	450						382
125LPD2GC	18.5	160L	125	600	300	300	235	922	992	178	320	248	350	370	250	410	370	14	196
	22	180M						942	1012			268	350						231
	30	200L						1070	1140			304	400						297
125LPD2JC	55	250M	125	700	350	350	265	1192.5	1262.5	225	414	359	550	430	320	470	430	14	488
	75	280S						1231	1301			388	550						618

Dimension

4P

Model	Output kW	Frame	DN mm	L mm	L1 mm	L2 mm	H2 mm	H1 mm	H mm	W1 mm	W mm	AD mm	P mm	A1 mm	A2 mm	B1 mm	B2 mm	ØN mm	Weight kg
50LPD4HC	0.37	71	50	400	200	200	125	423	458	135	270	116	160	320	180	360	280	14	52
	0.75	80M						483	518			145	200						56
65LPD4HC	0.75	80M	65	400	200	200	135	488	523	135	270	145	200	320	180	360	280	14	58
65LPD4JC	1.5	90L	65	450	230	220	135	572.5	607.5	160	320	155	200	360	200	400	320	14	76
	2.2	100L						607.5	642.5			169	250						89
80LPD4GC	0.75	80M	80	400	200	200	145	503	538	134	247	145	200	290	180	330	250	14	55
80LPD4JC	2.2	100L	80	450	225	225	155	626.5	661.5	330	330	169	250	370	230	410	330	14	94
	4.0	112M						661	696			190	250						104
80LPD4HC	1.5	90L	80	450	225	225	155	592.5	627.5	146	281	155	200	340	200	380	300	14	75
80LPD4KC	7.5	132M	80	600	300	300	145	732	767	228	432	210	300	470	300	510	430	14	181
	11	160M						848	883			248	350						236
100LPD4GC	1.5	90L	100	520	260	260	170	597.5	632.5	153	282	155	200	320	180	360	280	14	70
	2.2	100L						632.5	667.5			169	250						80
100LPD4HC	2.2	100L	100	520	260	260	165	621.5	656.5	179	316	169	250	360	200	400	320	14	93
	4.0	112M						656	691			190	250						104
100LPD4JC	4.0	112M	100	560	280	280	165	656	696	185	352	190	250	360	200	400	320	14	120
	5.5	132S						684	724			210	300						138
125LPD4GC	2.2	100L	125	600	300	300	235	656.5	726.5	178	320	169	250	370	250	410	370	14	82
	4.0	112M						691	761			190	250						93
125LPD4HC	5.5	132S	125	600	300	300	243	727	797	185	343	210	300	370	250	410	370	14	140
	7.5	132M						765	835			210	300						150
	11	160M						848	918			248	350						197
125LPD4JC	5.5	132S	125	700	350	350	265	754	824	225	414	210	300	430	320	470	430	14	197
	7.5	132M						792	862			210	300						212
125LPD4KC	11	160M	125	700	350	350	230	905	975	246	465	248	350	460	340	500	460	14	250
	15	160L						917	987			268	350						274
125LPD4LC	18.5	180M	125	700	350	350	230	952	1022	246	465	268	350	460	340	500	460	14	314
	22	180L						1011	1081			268	350						407
150LPD4HC	7.5	132M	150	700	350	350	270	797	867	243	430	210	300	430	320	470	430	14	193
	11	160M						913	983			248	350						230
150LPD4JC	15	160L	150	700	350	350	270	957	1027	243	430	248	350	430	320	470	430	14	248
	15	160L						977	1047			248	350						268
150LPD4KC	18.5	180M	150	800	400	400	275	1012	1082	264	475	268	350	460	340	500	460	14	308
	22	180L						1035	1105			268	350						340
	30	200L						1131	1201			304	400						457
150LPD4LC	37	225S	150	800	400	400	270	1173	1243	278	530	328	450	500	370	540	500	14	506
	45	225M						1170	1240			328	450						580
200LPD4HC	55	250M	200	900	450	450	268	1241.5	1311.5	310	600	359	550	530	370	565	530	14	705
	75	280S						1303	1373			388	550						780
	11	160M						814	884			210	300						216
200LPD4JC	7.5	132M	200	900	450	450	320	852	922	270	480	210	300	460	340	500	460	14	230
	11	160M						968	1038			248	350						269
200LPD4KC	15	160L	200	860	430	430	315	1028	1098	296	544	248	350	500	370	540	500	14	328
	18.5	180M						1063	1133			268	350						368
	22	180L						1086	1156			268	350						400
	30	200L						1176	1246			304	400						474
200LPD4LC	37	225S	200	900	450	450	310	1215	1285	315	568	328	450	530	370	565	530	14	553
	45	225M						1244	1314			328	450						577
	55	250M						1315.5	1385.5			359	550						700
200LPD4LC	55	250M	200	900	450	450	283	1335.5	1408.5	349	620	359	550	580	370	620	580	14	721
	75	280S						1397	1470			388	550						846
250LPD4LC	90	280M	250	1200	600	600	410	1518.5	1591.5	432	758	388	550	650	450	690	650	14	936
	90	280M						1572.5	1682.5			388	550						1105
	110	31																	