

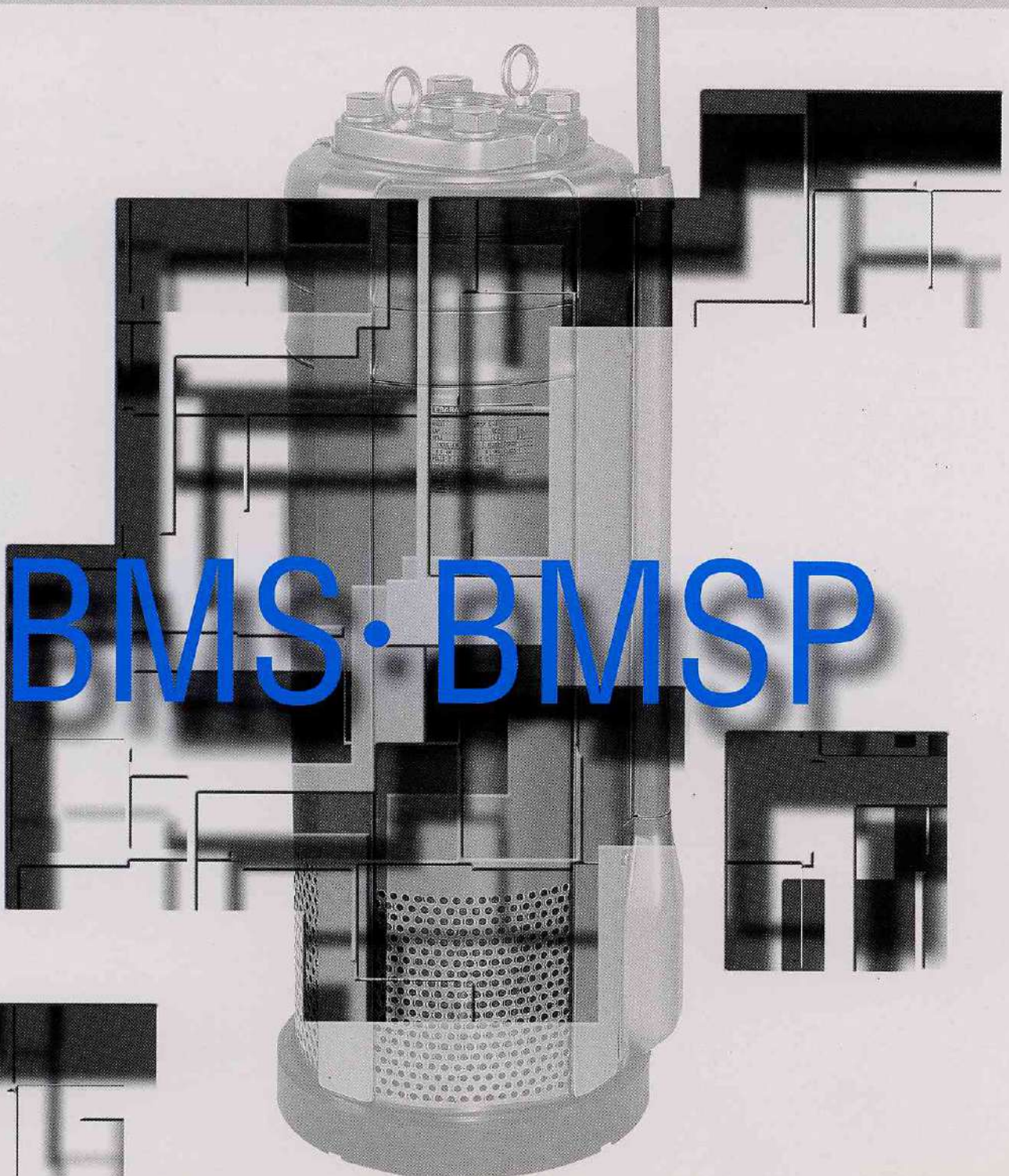


EBARA

CF3103UK

SUBMERSIBLE PUMPS FOR WATER PIT

Model **BMS · BMSP**



APPLICATIONS

Water supply ●Irrigation

FEATURES

Energy conservation(High efficiency)

Producing an adequate volume of water at low cost.

Use for potable water supply

Water contamination is prevented by use of a water-tight type motor with stainless steel frame and epoxy resin coated steel castings.

Space conservation

No floor space required for installation as the pump is submersible type.

Low noise

Operating is effectively silence as the pump and motor are submerged.

Automatic operation

As the pump can be operated without priming, automatic operation is possible.

Possible to operate at low-water levels

Pump suction inlet of lower portion provides for constant replenishment of fresh water in pit.

ACCESSORIES

●STANDARD ACCESSORIES

| | |
|------------------------------------|-------|
| Submersible cable | 10m |
| Cable band | 3 |
| Ground surface nameplate | 1 |
| Companion flange with bolts (BMSP) | 1 set |
| Built-in air vent valve (BMS) | 1 |

●OPTIONAL ACCESSORIES

| |
|---|
| Cable extension (Total:20m,30m) |
| Control panel:EPC |
| Sole plate and Discharge elbow |
| Auto air vent valve |
| Sluice valve |
| Check valve |
| Compound gauge |
| Support device for horizontal installation (BMSP) |

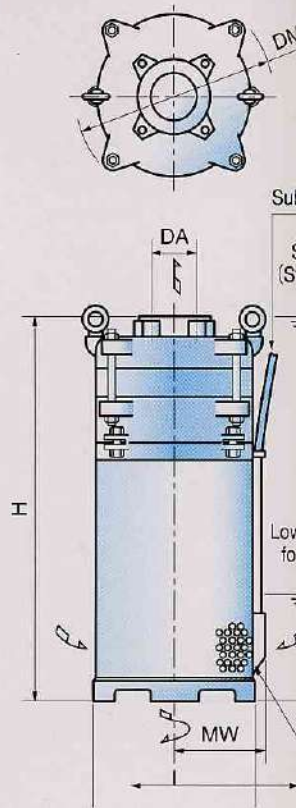
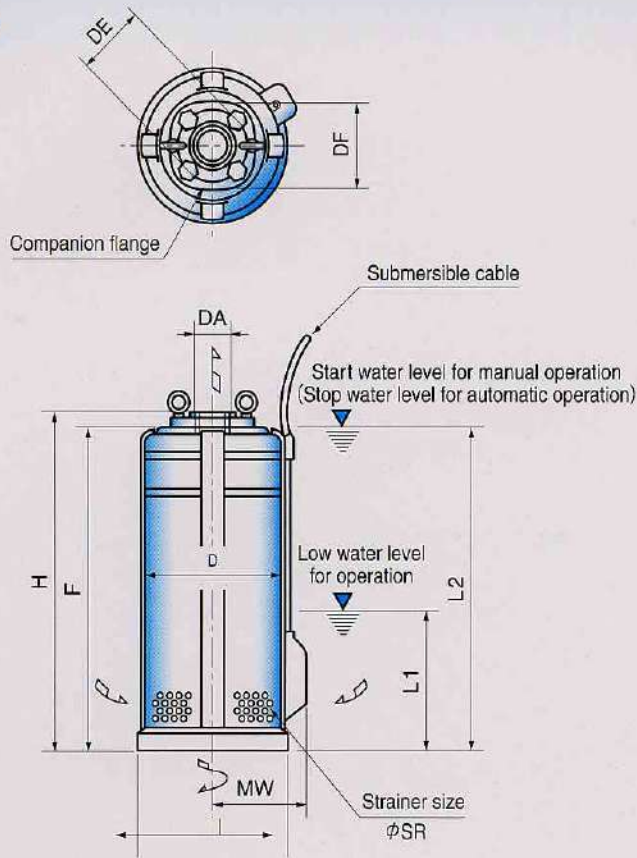
STANDARD SPECIFICATIONS

| | | BMSP | BMS | |
|--------------------------|--------------|--|--|------------------|
| Liquid handled | | Fresh water | | |
| Liquid temperature | | 0~40°C | 0~40°C (Up to 15kW) 0~32°C (18.5kW & over) | |
| Contained sand limit | | Up to 50ppm | | |
| Contained chlorine limit | | Up to 500ppm | | |
| Max. pump submergence | | 10m | | |
| Construction | Impeller | Enclosed | | |
| | Bearing | Bushing : 4 to 6 stages | Bushing | |
| Materials | Casing | 304 Stainless Steel | Cast Iron | |
| | Impeller | 304 Stainless Steel | Bronze | |
| | Shaft | 431 Stainless Steel | Bronze (Multi-stage) | |
| | Bushing | SiC/NBR | | |
| Motor | Type | Water filled submersible motor, 2 pole | | |
| | | Canned type | Canned type : Up to 15kW Water tight type : 18.5kW & over | |
| | Installation | Class F | Class F : Up to 15kW Class Y : 18.5kW & over | |
| | Starting | D.O.L. starting : Up to 7.5kW Star delta starting : 11kW & over | | |
| | Construction | Shaft seal | Oil seal | |
| | | Shaft | Mono block type | Shaft joint type |
| | Materials | Frame | 304 Stainless Steel | |
| Shaft | | 431 Stainless Steel | 420J ₁ Stainless Steel | |
| Cable | | 2PNCT | | |
| Flange | | Special flange | JIS10K thin type JIS10K normal type | |

DIMENSIONS

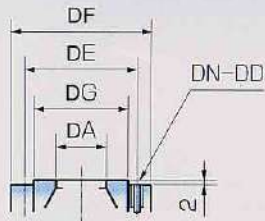
BMSP

BMS



50Hz

| Size DA | Model | Stage | Output kW | Pump & Motor | | | | | | | | | Unit: mm | | |
|--------------|--------------|-------|--------------|--------------|-----|-----|-----|-----|------|-----|-----|------|---------------------|------|-----|
| | | | | DM | I | MW | D | F | H | SR | L1 | L2 | Weight (Mass) kg | | |
| 32 | 32BMSP5.4A | 1 | 0.4 | - | 215 | 125 | 195 | 395 | 423 | 4 | 200 | 395 | 28 | | |
| | 32BMSP5.75A | 1 | 0.75 | | | | | 458 | 486 | | | 458 | 33 | | |
| | 32BMSP251.5A | 2 | 1.5 | | | | | 518 | 546 | | | 518 | 38 | | |
| | 32BMSP352.2A | 3 | 2.2 | | | | | 673 | 701 | | | 673 | 53 | | |
| | 32BMSP553.7A | 5 | 3.7 | | | | | | | | | | | | |
| 40 | 40BMSP5.4A | 1 | 0.4 | - | 215 | 125 | 195 | 395 | 423 | 4 | 200 | 395 | 28 | | |
| | 40BMSP5.75A | 1 | 0.75 | | | | | 418 | 446 | | | 418 | 30 | | |
| | 40BMSP51.5A | 2 | 1.5 | | | | | 478 | 506 | | | 478 | 35 | | |
| | 40BMSP252.2A | 2 | 2.2 | | | | | 593 | 621 | | | 593 | 47 | | |
| | 40BMSP353.7A | 3 | 3.7 | | | | | 700 | 728 | | | 700 | 65 | | |
| 50 | 40BMSP555.5A | 5 | 5.5 | - | 250 | 147 | 225 | 700 | 728 | 700 | 65 | | | | |
| | 50BMSP5.75A | 1 | 0.75 | - | 215 | 125 | 195 | 395 | 425 | 4 | 200 | 395 | 28 | | |
| | 50BMSP51.5A | 1 | 1.5 | | | | | 418 | 448 | | | 418 | 30 | | |
| | 50BMSP252.2A | 2 | 2.2 | | | | | 478 | 508 | | | 478 | 35 | | |
| | 50BMSP253.7A | 2 | 3.7 | | | | | 553 | 583 | | | 553 | 45 | | |
| 50BMSP355.5A | 3 | 5.5 | 620 | | | | | 650 | 620 | | | 60 | | | |
| 65 | 50BMSP457.5A | 4 | 7.5 | - | 250 | 147 | 225 | 698 | 728 | 698 | 70 | | | | |
| | 50BMSP551.1A | 5 | 11 | | | | | 794 | 824 | 794 | 88 | | | | |
| | 65BMSP51.5A | 1 | 1.5 | - | 215 | 125 | 195 | 426 | 463 | 4 | 200 | 426 | 31 | | |
| | 65BMSP52.2A | 1 | 2.2 | | | | | 446 | 483 | | | 446 | 34 | | |
| | 65BMSP253.7A | 2 | 3.7 | | | | | 569 | 606 | | | 569 | 46 | | |
| 65BMSP255.5A | 2 | 5.5 | 596 | | | | | 633 | 596 | | | 58 | | | |
| 65BMSP357.5A | 3 | 7.5 | 682 | | | | | 719 | 682 | | | 69 | | | |
| 80 | 65BMSP451.1A | 4 | 11 | - | 250 | 147 | 225 | 786 | 823 | 786 | 88 | | | | |
| | 65BMSP651.5A | 6 | 15 | | | | | 951 | 988 | 951 | 106 | | | | |
| | 80BMS53.7A | 1 | 3.7 | 330 | 275 | 157 | - | - | 642 | 4 | 250 | 642 | 95 | | |
| | 80BMS55.5A | 1 | 5.5 | 360 | | | | | 680 | | | 680 | 103 | | |
| | 80BMS57.5A | 1 | 7.5 | 360 | | | | | 856 | | | 856 | 134 | | |
| | 80BMS251.1A | 2 | 11 | 355 | | | | | 925 | | | 925 | 146 | | |
| | 80BMS251.5A | 2 | 15 | 355 | | | | | 1005 | | | 1005 | 164 | | |
| 80BMS351.5A | 3 | 18.5 | 370 | 1265 | | | | | 1265 | | | 238 | | | |
| 80BMS452.2 | 4 | 22 | 370 | 320 | | | | | 320 | | | 1395 | 1395 | 281 | |
| 100 | 100BMS51.1A | 1 | 11 | 380 | 275 | 157 | - | - | 751 | 4 | 250 | 751 | 121 | | |
| | 100BMS51.5A | 1 | 15 | 380 | | | | | 820 | | | 820 | 133 | | |
| | 100BMS51.8 | 1 | 18.5 | 380 | | | | | 1150 | | | 1150 | 236 | | |
| | 100BMS52.2 | 1 | 22 | 380 | | | | | 1200 | | | 1200 | 260 | | |
| | 100BMS2530 | 2 | 30 | 430 | | | | | 320 | | | 420 | 1425 | 1425 | 376 |
| 125 | 100BMS2537 | 2 | 37 | 430 | 275 | 157 | - | - | 1525 | 8 | 300 | 1525 | 386 | | |
| | 100BMS2545 | 2 | 45 | 430 | | | | | 440 | | | 1525 | 1525 | 401 | |
| | 125BMS51.1A | 1 | 11 | 380 | | | | | 275 | | | 157 | 761 | 761 | 121 |
| | 125BMS51.5A | 1 | 15 | 380 | | | | | 275 | | | 157 | 830 | 830 | 133 |
| | 125BMS51.8 | 1 | 18.5 | 380 | | | | | 275 | | | 157 | 1150 | 1150 | 236 |
| 125 | 125BMS52.2 | 1 | 22 | 380 | 275 | 157 | - | - | 1200 | 8 | 270 | 1200 | 260 | | |
| | 125BMS2530 | 2 | 30 | 430 | | | | | 320 | | | 420 | 1425 | 1425 | 376 |
| | 125BMS2537 | 2 | 37 | 430 | | | | | 320 | | | 420 | 1425 | 1425 | 386 |
| | 125BMS2545 | 2 | 45 | 430 | | | | | 320 | | | 420 | 1525 | 1525 | 401 |
| | 125BMS2545 | 2 | 45 | 430 | | | | | 320 | | | 420 | 1525 | 1525 | 401 |



versible cable Flange
 rt water level for manual operation
 water level for automatic operation)



Strainer size
 φSR

Unit:mm

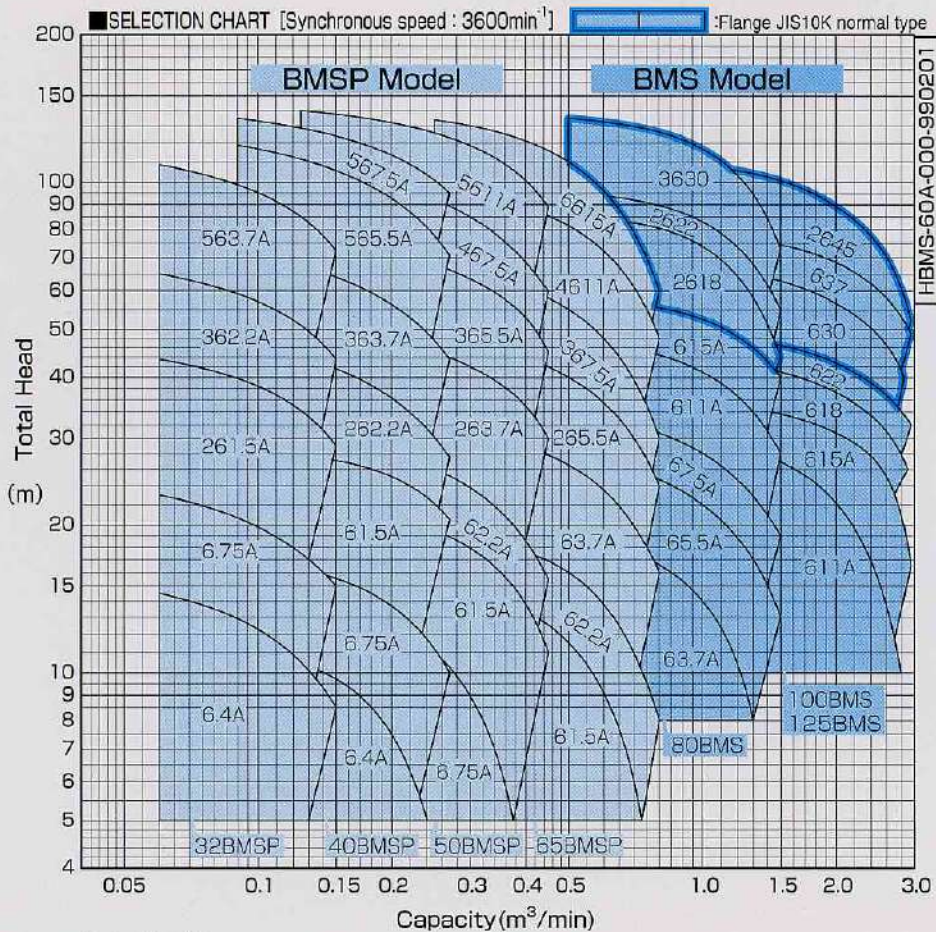
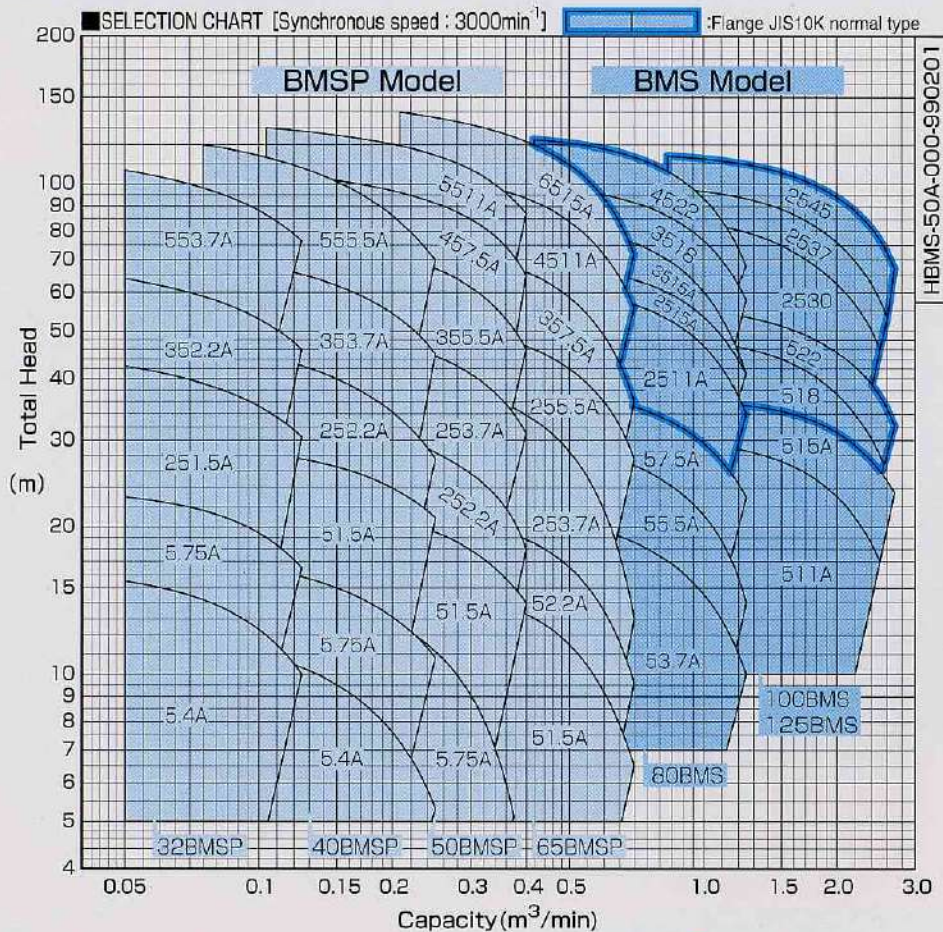
| Size φ | | DF | DE | DG | DN | DD |
|--------|---------------|-----|-----|-----|----|-----|
| 32 | | 116 | 105 | — | — | — |
| 40 | | 116 | 105 | — | — | — |
| 50 | | 116 | 105 | — | — | — |
| 65 | | 150 | 120 | — | — | — |
| 80 | Up to 7.5kW | 185 | 150 | 130 | 8 | M12 |
| | 11kW & over | | | | | M16 |
| 100 | Up to 15kW | 210 | 175 | 155 | 8 | M12 |
| | 18.5kW & over | | | | | M16 |
| 125 | Up to 15kW | 250 | 210 | 185 | 8 | M16 |
| | 18.5kW & over | | | | | M20 |

60Hz

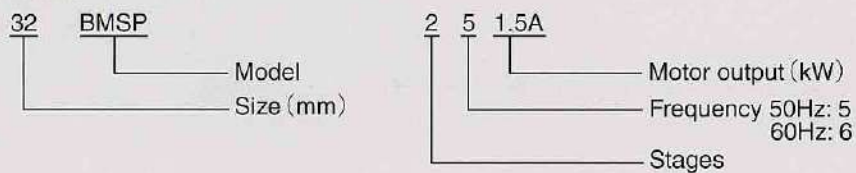
Unit:mm

| Size DA | Model | Stage | Output kW | Pump & Motor | | | | | | | | | Weight (Mass) kg | |
|---------|--------------|-------|-----------|--------------|-----|-----|-----|---|---|----|----|-----|------------------|-----|
| | | | | DM | I | MW | D | F | H | SR | L1 | L2 | | |
| 32 | 32BMSP6.4A | 1 | 0.4 | — | 215 | 125 | 195 | — | — | — | 4 | 200 | 395 | 28 |
| | 32BMSP6.75A | | 0.75 | | | | | | | | | | 423 | 33 |
| | 32BMSP261.5A | | 1.5 | | | | | | | | | | 458 | 38 |
| | 32BMSP362.2A | | 2.2 | | | | | | | | | | 486 | 47 |
| | 32BMSP563.7A | | 3.7 | | | | | | | | | | 518 | 53 |
| 40 | 40BMSP6.4A | 1 | 0.4 | — | 215 | 125 | 195 | — | — | — | 4 | 200 | 395 | 28 |
| | 40BMSP6.75A | | 0.75 | | | | | | | | | | 418 | 30 |
| | 40BMSP61.5A | | 1.5 | | | | | | | | | | 446 | 35 |
| | 40BMSP262.2A | | 2.2 | | | | | | | | | | 478 | 47 |
| | 40BMSP363.7A | | 3.7 | | | | | | | | | | 506 | 65 |
| 50 | 40BMSP565.5A | 5 | 5.5 | — | 250 | 147 | 225 | — | — | — | 4 | 200 | 700 | 73 |
| | 40BMSP567.5A | | 7.5 | | | | | | | | | | 723 | 88 |
| | 50BMSP6.75A | | 0.75 | | | | | | | | | | 738 | 28 |
| | 50BMSP61.5A | | 1.5 | | | | | | | | | | 766 | 30 |
| | 50BMSP62.2A | | 2.2 | | | | | | | | | | 794 | 35 |
| 65 | 50BMSP263.7A | 3 | 3.7 | — | 215 | 125 | 195 | — | — | — | 4 | 200 | 593 | 47 |
| | 50BMSP365.5A | | 5.5 | | | | | | | | | | 621 | 60 |
| | 50BMSP467.5A | | 7.5 | | | | | | | | | | 650 | 70 |
| | 50BMSP561.1A | | 11 | | | | | | | | | | 682 | 88 |
| | 50BMSP61.5A | | 1.5 | | | | | | | | | | 700 | 106 |
| 80 | 50BMSP62.2A | 2 | 2.2 | — | 250 | 147 | 225 | — | — | — | 4 | 200 | 738 | 73 |
| | 50BMSP63.7A | | 3.7 | | | | | | | | | | 766 | 88 |
| | 50BMSP265.5A | | 5.5 | | | | | | | | | | 794 | 106 |
| | 50BMSP367.5A | | 7.5 | | | | | | | | | | 824 | 123 |
| | 50BMSP461.1A | | 11 | | | | | | | | | | 842 | 135 |
| 100 | 65BMSP61.5A | 1 | 1.5 | — | 215 | 125 | 195 | — | — | — | 4 | 250 | 426 | 31 |
| | 65BMSP62.2A | | 2.2 | | | | | | | | | | 446 | 34 |
| | 65BMSP63.7A | | 3.7 | | | | | | | | | | 463 | 42 |
| | 65BMSP265.5A | | 5.5 | | | | | | | | | | 483 | 58 |
| | 65BMSP367.5A | | 7.5 | | | | | | | | | | 521 | 69 |
| 125 | 65BMSP461.1A | 4 | 11 | — | 250 | 147 | 225 | — | — | — | 4 | 200 | 553 | 45 |
| | 65BMSP561.1A | | 11 | | | | | | | | | | 583 | 58 |
| | 65BMSP661.5A | | 15 | | | | | | | | | | 620 | 69 |
| | 80BMS63.7A | | 3.7 | | | | | | | | | | 698 | 88 |
| | 80BMS65.5A | | 5.5 | | | | | | | | | | 728 | 106 |
| 80 | 80BMS67.5A | 1 | 7.5 | — | 275 | 157 | — | — | — | — | 4 | 250 | 796 | 88 |
| | 80BMS61.1A | | 11 | | | | | | | | | | 823 | 106 |
| | 80BMS61.5A | | 15 | | | | | | | | | | 842 | 123 |
| | 80BMS2618 | | 18.5 | | | | | | | | | | 880 | 135 |
| | 80BMS2622 | | 22 | | | | | | | | | | 915 | 150 |
| 100 | 80BMS2630 | 3 | 30 | — | 370 | 320 | — | — | — | — | 8 | 270 | 951 | 106 |
| | 100BMS61.1A | | 11 | | | | | | | | | | 988 | 123 |
| | 100BMS61.5A | | 15 | | | | | | | | | | 1025 | 135 |
| | 100BMS618 | | 18.5 | | | | | | | | | | 1065 | 150 |
| | 100BMS622 | | 22 | | | | | | | | | | 1105 | 165 |
| 125 | 100BMS630 | 1 | 30 | — | 275 | 157 | — | — | — | — | 4 | 250 | 751 | 123 |
| | 100BMS2637 | | 37 | | | | | | | | | | 781 | 135 |
| | 100BMS2645 | | 45 | | | | | | | | | | 810 | 150 |
| | 125BMS61.1A | | 11 | | | | | | | | | | 820 | 165 |
| | 125BMS61.5A | | 15 | | | | | | | | | | 850 | 180 |
| 125 | 125BMS618 | 1 | 18.5 | — | 380 | — | — | — | — | — | 8 | 270 | 1095 | 209 |
| | 125BMS622 | | 22 | | | | | | | | | | 1135 | 234 |
| | 125BMS630 | | 30 | | | | | | | | | | 1175 | 250 |
| | 125BMS637 | | 37 | | | | | | | | | | 1215 | 265 |
| | 125BMS645 | | 45 | | | | | | | | | | 1255 | 280 |
| 125 | 125BMS630 | 1 | 30 | — | 320 | 420 | — | — | — | — | 8 | 300 | 1335 | 334 |
| | 125BMS637 | | 37 | | | | | | | | | | 1375 | 349 |
| | 125BMS645 | | 45 | | | | | | | | | | 1415 | 364 |
| | 125BMS61.1A | | 11 | | | | | | | | | | 1455 | 379 |
| | 125BMS61.5A | | 15 | | | | | | | | | | 1495 | 394 |
| 125 | 125BMS618 | 1 | 18.5 | — | 380 | — | — | — | — | — | 8 | 300 | 1535 | 409 |
| | 125BMS622 | | 22 | | | | | | | | | | 1575 | 424 |
| | 125BMS630 | | 30 | | | | | | | | | | 1615 | 439 |
| | 125BMS637 | | 37 | | | | | | | | | | 1655 | 454 |
| | 125BMS645 | | 45 | | | | | | | | | | 1695 | 469 |

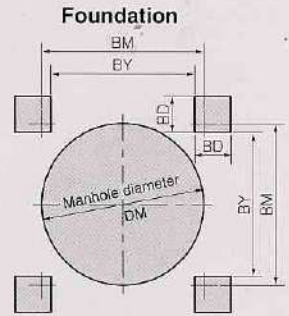
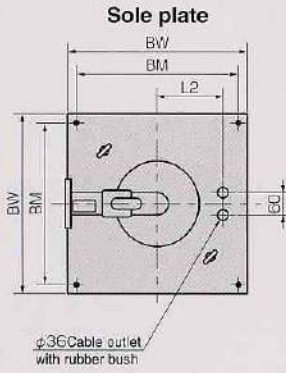
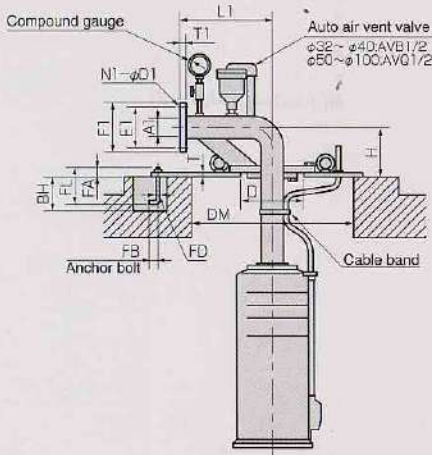
SELECTION CHART



Symbols



■ Pump size $\phi 32 \sim 100$



| Part name | Material | Nos |
|-----------------|----------|-----|
| Lifting bolt | Steel | 2 |
| Discharge elbow | | 1 |
| Sole plate | | 1 |

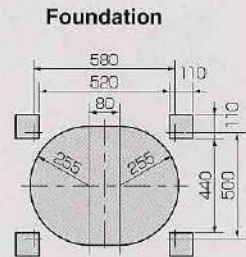
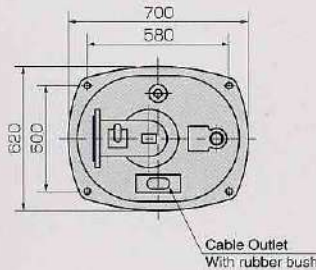
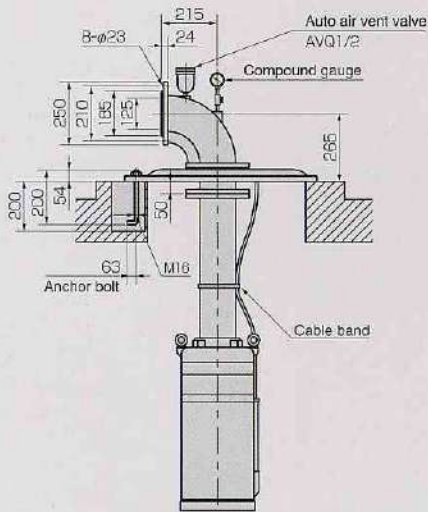
Installation

| Size | Sole plate | | | | | | Foundation | | | | Anchor bolt | | | | Sole plate weight (Mass) kg | |
|------|------------|-----|-----|-----|----|-----|------------|-----|-----|-----|-------------|-----|-----|----|-----------------------------|----|
| | A1 | BW | L1 | L2 | H | T | D | DM | BM | BY | BD | BH | FD | FL | | FA |
| 32 | 450 | 230 | 150 | 130 | 12 | 160 | 400 | 400 | 340 | 110 | 180 | M12 | 160 | 32 | 50 | 24 |
| 40 | 450 | 230 | 150 | 140 | 12 | 160 | 400 | 400 | 340 | 110 | 180 | M12 | 160 | 32 | 50 | 24 |
| 50 | 550 | 280 | 200 | 155 | 12 | 200 | 500 | 500 | 440 | 110 | 180 | M12 | 160 | 32 | 50 | 36 |
| 65 | 550 | 280 | 200 | 165 | 12 | 200 | 500 | 500 | 440 | 110 | 180 | M12 | 160 | 32 | 50 | 36 |
| 80 | 650 | 330 | 220 | 190 | 16 | 235 | 600 | 600 | 540 | 110 | 220 | M16 | 200 | 39 | 63 | 63 |
| 100 | 650 | 330 | 220 | 230 | 16 | 235 | 600 | 600 | 540 | 110 | 220 | M16 | 200 | 39 | 63 | 64 |

Flange

| JIS10K thin type | | | | | JIS10K normal type | | | | |
|------------------|-----|----|----|----|--------------------|-----|----|----|----|
| F1 | E1 | T1 | N1 | D1 | F1 | E1 | T1 | N1 | D1 |
| - | - | - | - | - | 135 | 100 | 16 | 4 | 19 |
| - | - | - | - | - | 140 | 105 | 16 | 4 | 19 |
| - | - | - | - | - | 155 | 120 | 16 | 4 | 19 |
| - | - | - | - | - | 175 | 140 | 18 | 4 | 19 |
| 185 | 150 | 16 | 8 | 15 | 185 | 150 | 18 | 8 | 19 |
| 210 | 175 | 16 | 8 | 15 | 210 | 175 | 18 | 8 | 19 |

■ Pump size $\phi 125$



| Size | Weight (Mass) kg |
|------|------------------|
| 125 | 110 |

| Part name | Material | Nos |
|-----------------|----------|-----|
| Discharge elbow | FC200 | 1 |
| Sole plate | | |

※ All specifications subject to change without notice



EBARA CORPORATION

Standard Products Marketing & Sales Office

Phone: 81-3-5714-6111 Fax: 81-3-5714-6088
Website: <http://www.ebara.co.jp>

Ebara Engineering Singapore Pte. Ltd. (Singapore)

Phone: 65-862-3536 Fax: 65-861-0589

Ebara Middle East Branch Office (U.A.E)

Phone: 971-48-838889 Fax: 971-48-835307